

SPECIFICATIONS



TW030WA13/14 30 mm chambered neodymium textile tweeter, 4/8 ohm

TW030WA13 and TW030WA14 are true high-end tweeters designed for the most demanding applications featuring an array of performance improving details that participate in obtaining low resonance frequency, low distortion and very high frequency extension.

FEATURES

- Precision textile dome ensuring extended response and very good consistency
- 30 mm voice coil design with high power handling, and low resonance frequency
- Copper clad center pole yielding very low voice coil inductance for reduced distortion and increased high frequency output
- Vented through to a damped rear chamber for low resonance frequency and low distortion
- Internal volumes for low resonance frequency and low distortion
- Optimized dome shape for ultra high frequency cut-off
- Rear heat sink for increased long term power handling
- Vented voice coil former for reduced distortion and compression
- Copper-clad aluminium voice coil wire offering lower moving mass for improved efficiency and transient response
- Built-in cavities under dome/edge to equalize pressure - for lower distortion and lower resonance frequency
- Flexible lead wires for higher power handling and larger excursion
- Gold plated terminals to prevent oxidation and ensure long-term reliable connection
- Delivered with foam gasket attached for hassle-free mounting and secure cabinet sealing



October 2023

TW030WA13 and TW030WA14 (plus the corresponding models without face plate) will be discontinued.

Replacement models:

TW030WA13 replaced by [TW030WA23](#)

TW030WA14 replaced by [TW030WA24](#)

More information [here](#)

NOMINAL SPECIFICATIONS

Notes	Parameter	Value		Unit
		TW030WA13	TW030WA14	
	Nominal size	30	30	[mm]
	Nominal impedance	4	8	[ohm]
	Recommended frequency range	2 - 30	2 - 30	[kHz]
1, 4	Sensitivity, 2.83V/1m (average SPL in range 5 - 20 kHz)	94	92	[dB]
2	Power handling, short term, IEC 268-5, 2.5 kHz@12dB/oct.	1,000	1,000	[W]
2	Power handling, long term, IEC 268-5, 2.5 kHz@12dB/oct.	135	135	[W]
2	Power handling, continuous, IEC 268-5, 2.5 kHz@12dB/oct.	45	45	[W]
	Effective radiating area, S _d	11.5	11.5	[cm ²]
3, 4, 6	Resonance frequency (free air, no baffle), F _s	690	715	[Hz]
	Moving mass, incl. air (free air, no baffle), M _{ms}	0.43	0.40	[g]
3	Force factor, B _{xl}	1.95	2.25	[N/A]
3, 4, 6	Suspension compliance, C _{ms}	0.124	0.124	[mm/N]
3, 4, 6	Equivalent air volume, V _{as}	23	23	[mlit.]
3, 4, 6	Mechanical resistance, R _{ms}	0.76	0.76	[Ns/m]
3, 4, 6	Mechanical Q, Q _{ms}	2.45	2.37	[-]
3, 4, 6	Electrical Q, Q _{es}	1.72	2.31	[-]
3, 4, 6	Total Q, Q _{ts}	1.01	1.17	[-]
4	Voice coil resistance, R _{DC}	3.5	6.5	[ohm]
5	Voice coil inductance, L _e (measured at 10 kHz)	33	59	[μH]
	Voice coil inside diameter	30.4	30.4	[mm]
	Voice coil winding height	1.7	1.7	[mm]
	Air gap height	3.0	3.0	[mm]
	Theoretical linear motor stroke, X _{max}	±0.65	±0.65	[mm]
	Magnet weight			[g]
	Total unit net weight excl. packaging	0.13	0.13	[kg]
3, 4, 5	K _{rm}	4.1	4.4	[mohm]
3, 4, 5	E _{rm}	0.48	0.48	[-]
3, 4, 5	K _{xm}	197	726	[mH]
3, 4, 5	E _{xm}	0.11	0.0	[-]

Note 1 Measured in infinite baffle.

Note 2 Tested in free air (no cabinet, no baffle).

Note 3 Measured using a semi-constant current source, nominal level 2 mA.

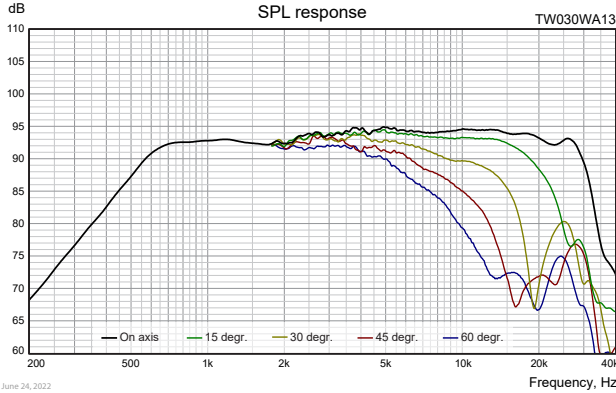
Note 4 Measured at 25 deg. C

Note 5 It is generally a rough simplification to assume that loudspeaker transducer voice coils exhibit the characteristics of an inductor. Instead it is a far more accurate approach to use the more advanced model often referred to as the "Wright empirical model", also used in LEAP-4 as the TSL model (www.linearx.com), involving parameters K_{rm}, E_{rm}, K_{xm}, and E_{xm}. This more accurate transducer model is described in a technical paper [here at our web site](#).

Note 6 Measured before burn in. The unit is not burned in before shipping.

SPECIFICATIONS

TW030WA13/14 30 mm chambered neodymium textile tweeter, 4/8 ohm

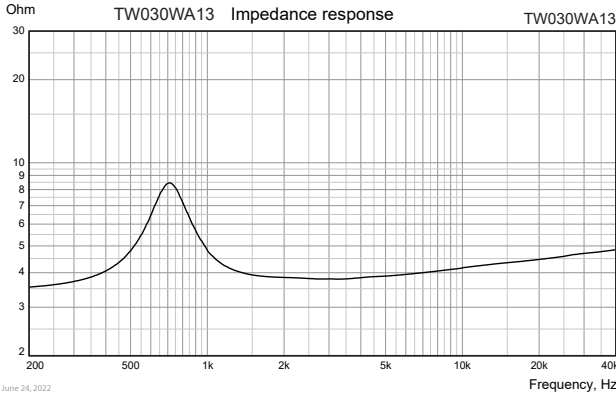


Important!
Please observe that graphs on the left side of this page and the below text files for download are actual measurements of the drivers measured in infinite baffle and without any enclosure. Measuring the drivers in a finite baffle (like the baffle of most speaker cabinets) and in any size of enclosure will lead to different response curves.



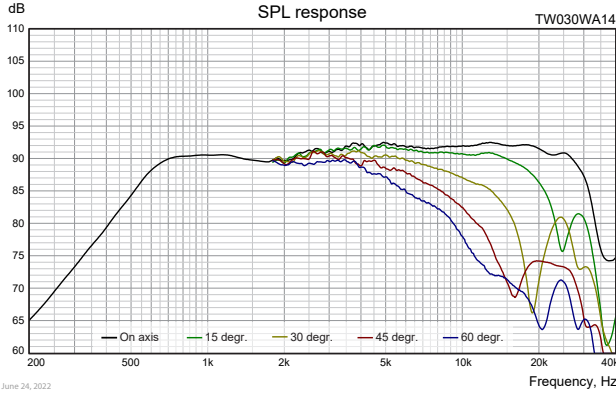
Download TW030WA13 SPL response as .txt file

Measuring conditions, SPL
Driver mounting: Flush in infinite baffle, back side open (no cabinet)
Microphone distance: 1.0 m
Input signal: 2.83 VRMS stepped sine wave
Smoothing: 1/6 oct.



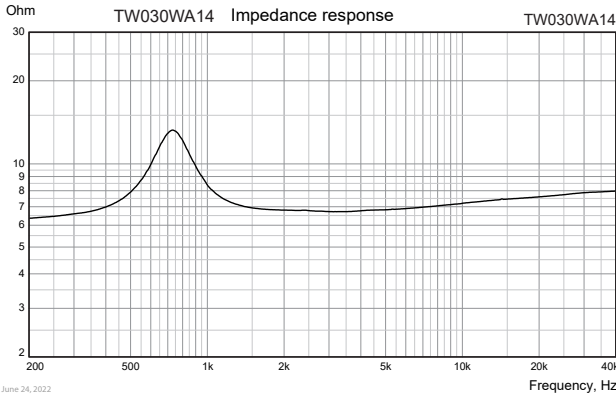
Download TW030WA13 impedance response as .txt file

Measuring conditions, impedance
Driver mounting: Free air, no baffle, back side open (no cabinet)
Input signal: Stepped sine wave, semi-current-drive, nominal current 2 mA
Smoothing: None



Download TW030WA14 SPL response as .txt file

Measuring conditions, SPL
Driver mounting: Flush in infinite baffle, back side open (no cabinet)
Microphone distance: 1.0 m
Input signal: 2.83 VRMS stepped sine wave
Smoothing: 1/6 oct.



Download TW030WA14 impedance response as .txt file

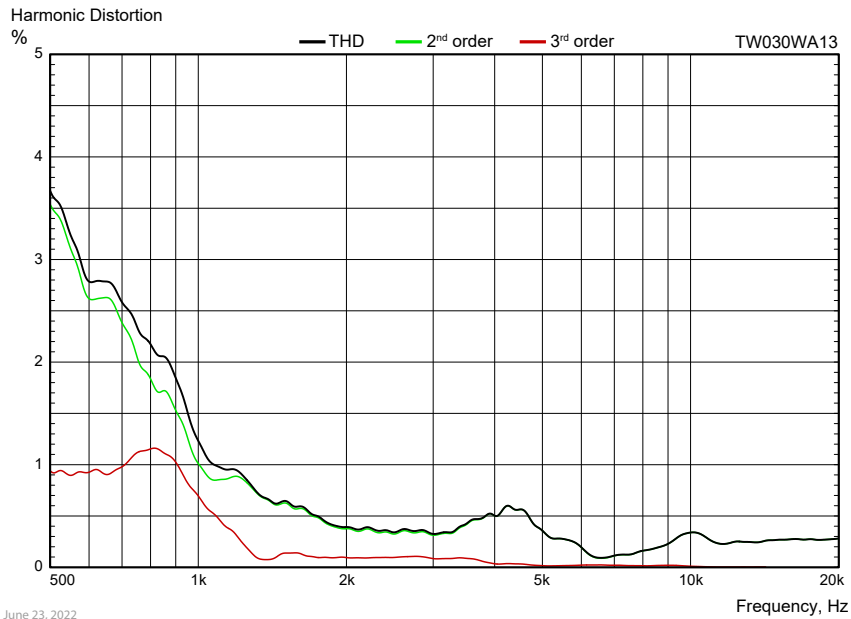
Measuring conditions, impedance
Driver mounting: Free air, no baffle, back side open (no cabinet)
Input signal: Stepped sine wave, semi-current-drive, nominal current 2 mA
Smoothing: None

SPECIFICATIONS



TW030WA13/14 30 mm chambered neodymium textile tweeter, 4/8 ohm

HARMONIC DISTORTION



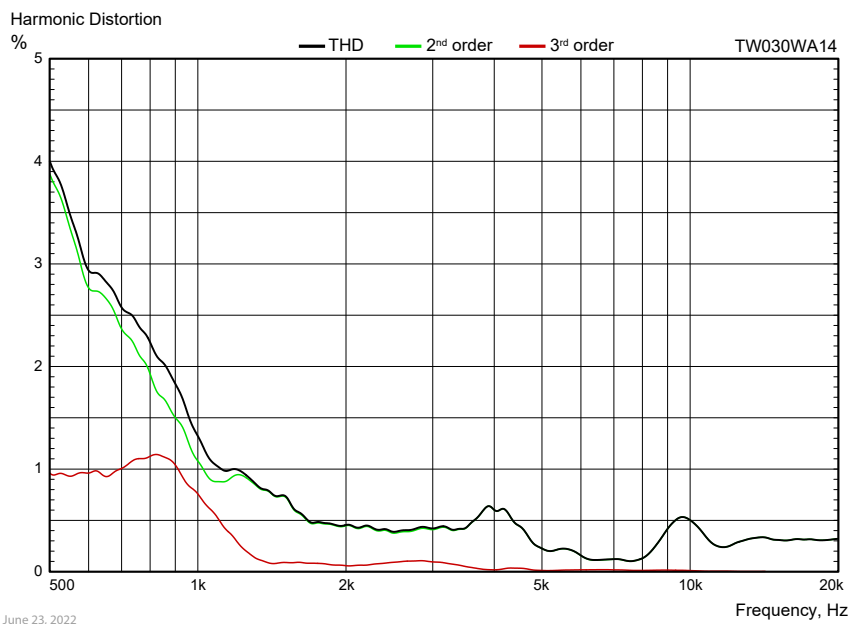
Measuring conditions, Harmonic Distortion

Driver mounting: Infinite baffle

Microphone distance: 0.5 m

Input signal: Stepped sine wave, 2.0 VRMS (TW030WA13) / 2.83 VRMS (TW030WA14)

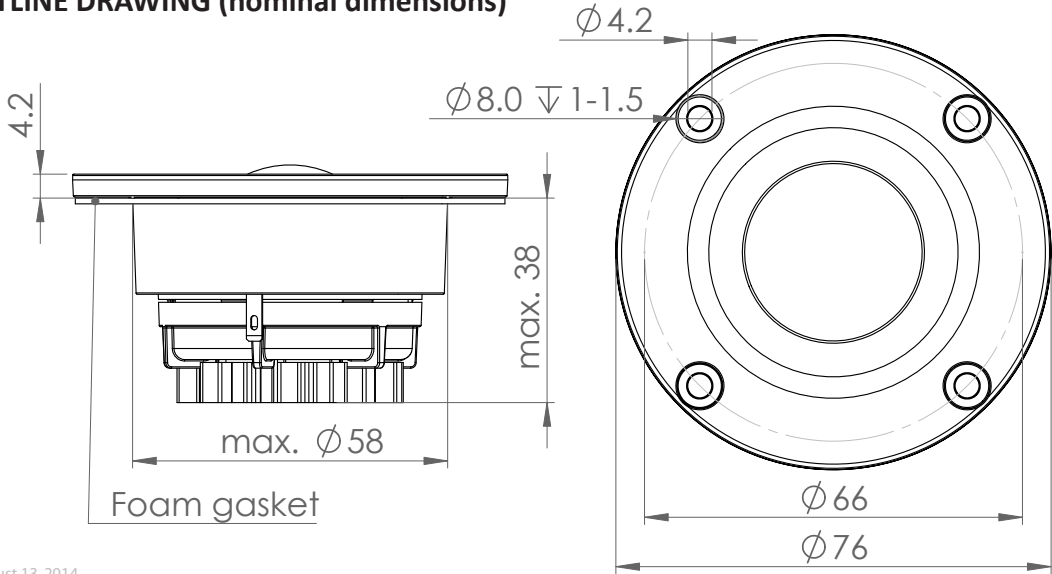
Smoothing: 1/6 oct.



SPECIFICATIONS

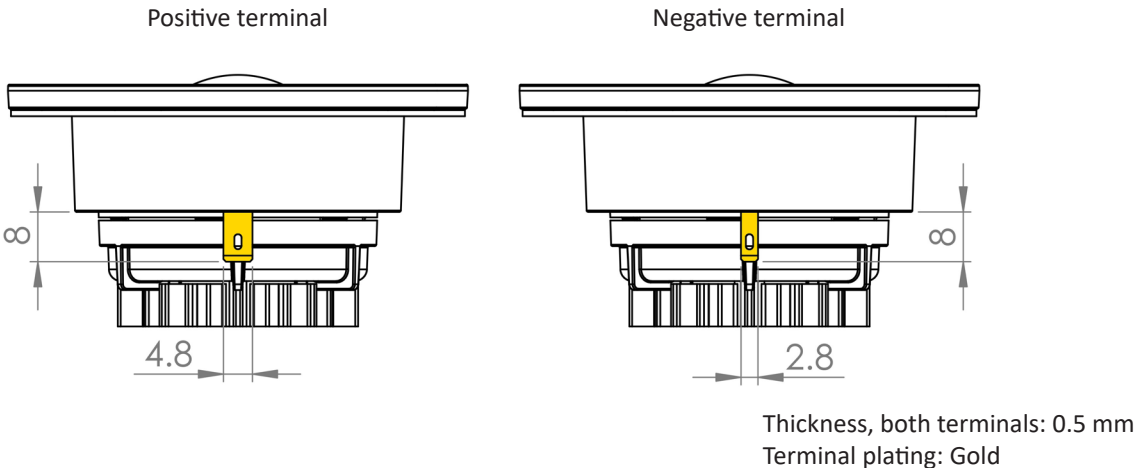
TW030WA13/14 30 mm chambered neodymium textile tweeter, 4/8 ohm

OUTLINE DRAWING (nominal dimensions)



August 13, 2014

CONNECTIONS



PACKAGING AND ORDERING INFORMATION

Part no. TW030WA13-01	4 ohm, individual packaging (one pair per box)
Part no. TW030WA13-02	4 ohm, bulk (industrial) packaging
Part no. TW030WA14-01	8 ohm, individual packaging (one pair per box)
Part no. TW030WA14-02	8 ohm, bulk (industrial) packaging

Latest update: June 24, 2022