

Main cabinet BOM

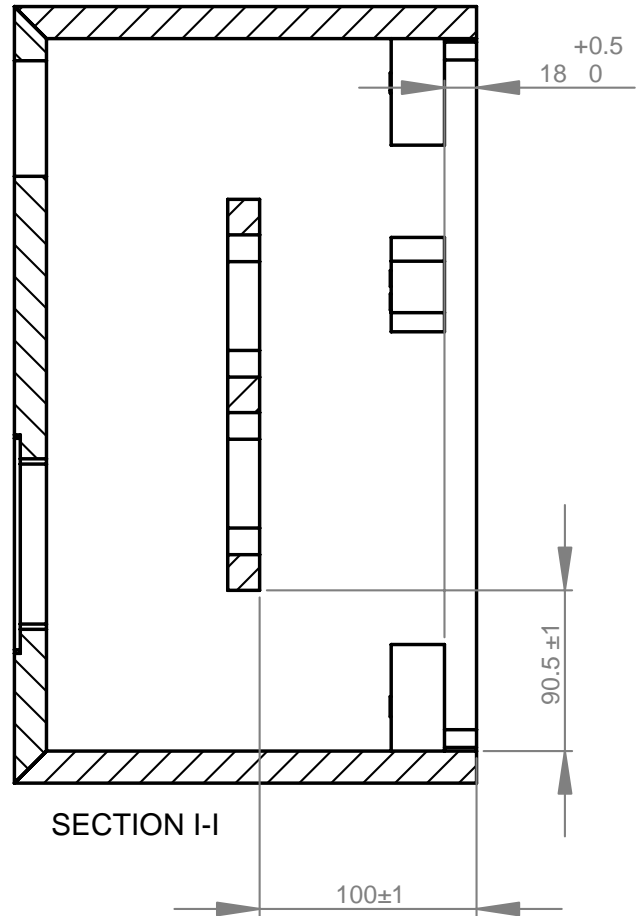
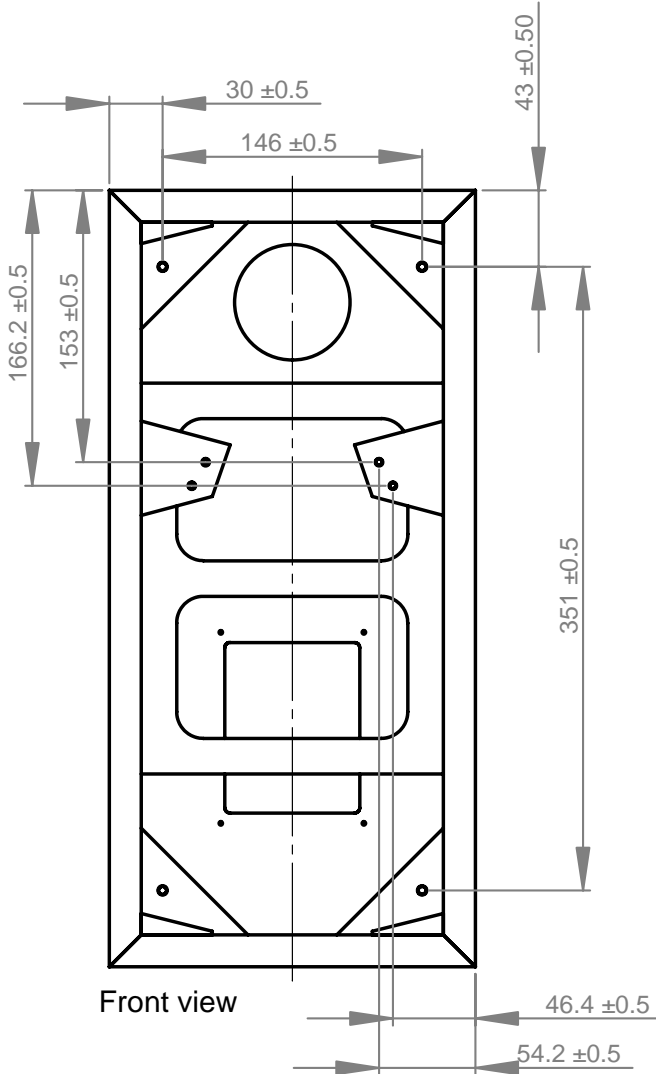
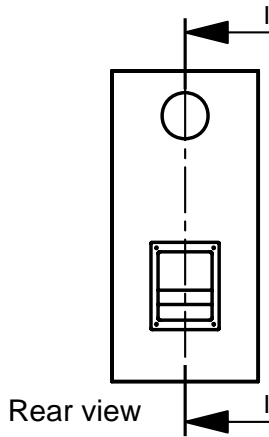
Side panels	2 pcs (identical)
Top/bottom panels	2 pcs (identical)
Rear panel	1 pc
Corner cover 1	2 pcs
Corner cover 2	2 pcs
Baffle corner support 1	2 pcs (each containing one M5 metal insert)
Baffle corner support 2	2 pcs (each containing one M5 metal insert)
Baffle middle support 1	1 pc (containing two M4 metal inserts)
Baffle middle support 2	1 pc (containing two M4 metal inserts)
Port tube	1 pc

Wavecor Property
This document and its content is the property of Wavecor Ltd., GuangZhou, China. Copyright© 2007 by Wavecor Ltd. All rights reserved. It is permitted to copy the design covered by the document for personal use. No commercial use of the design covered by this document is allowed unless prior written permission by Wavecor Ltd. is obtained.

Notes:

IMPORTANT!
All metal inserts must be inserted from inner side

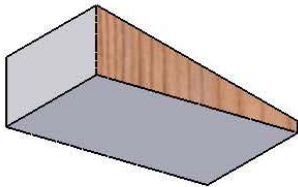
**Evaluation Kit 1, main cabinet,
page 2/9**



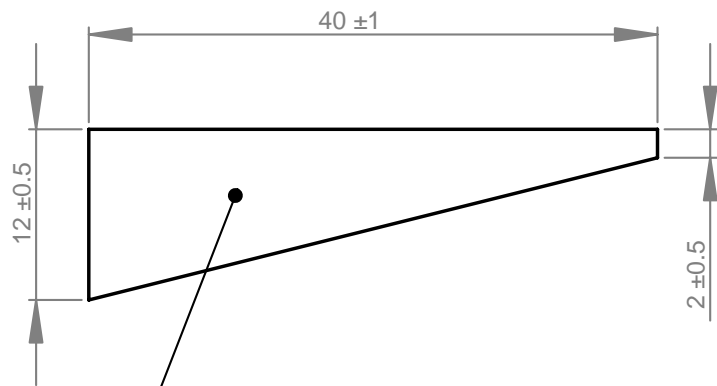
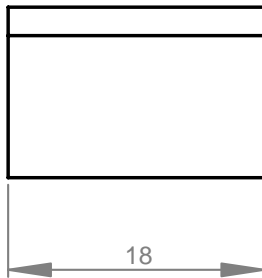
Wavecor Property
This document and its content is the property of Wavecor Ltd., GuangZhou, China. Copyright© 2007 by Wavecor Ltd. All rights reserved. It is permitted to copy the design covered by the document for personal use. No commercial use of the design covered by this document is allowed unless prior written permission by Wavecor Ltd. is obtained.

Materials: Top, bottom, sides, rear panel, and bracing: 18mm MDF.
Other parts: Specified on individual drawings.
Finish on all visible surfaces: Real-wood veneer, cherry, natural colour (no dying)

**Evaluation Kit 1, main cabinet,
page 5/9,
corner cover**



Corner Cover 2 shown above

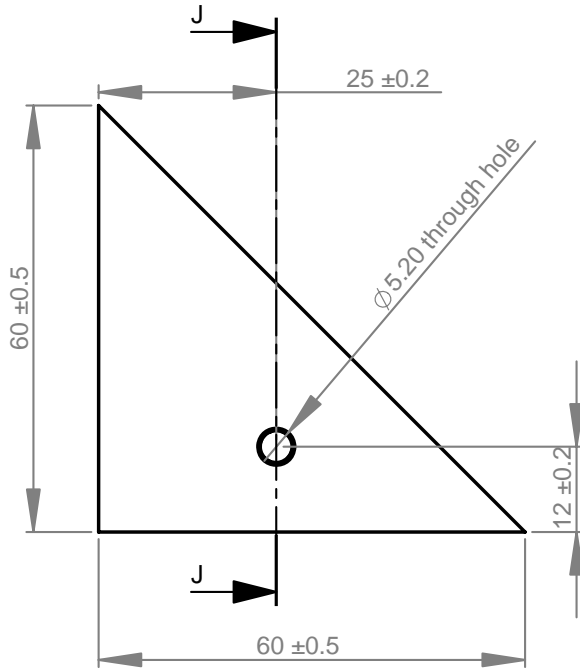


Wavecor Property
This document and its content is the property of Wavecor Ltd., GuangZhou, China. Copyright© 2007 by Wavecor Ltd. All rights reserved. It is permitted to copy the design covered by the document for personal use. No commercial use of the design covered by this document is allowed unless prior written permission by Wavecor Ltd. is obtained.

This face is veneered on Corner Cover 1 while the opposite face is veneered on Corner Cover 2. Otherwise Corner Cover 1 & 2 are identical.

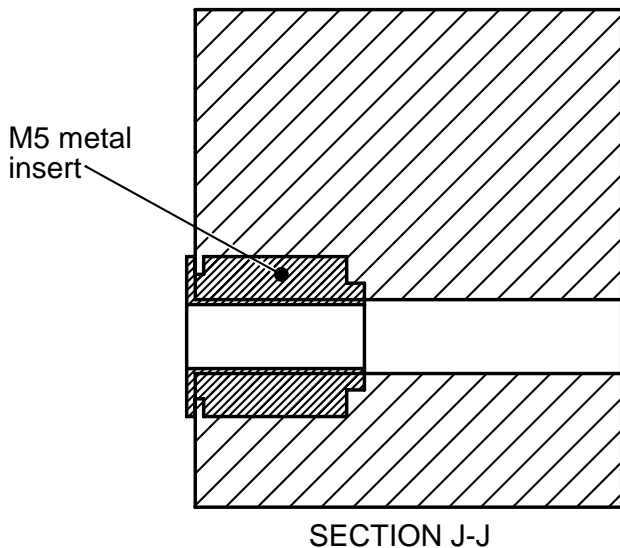
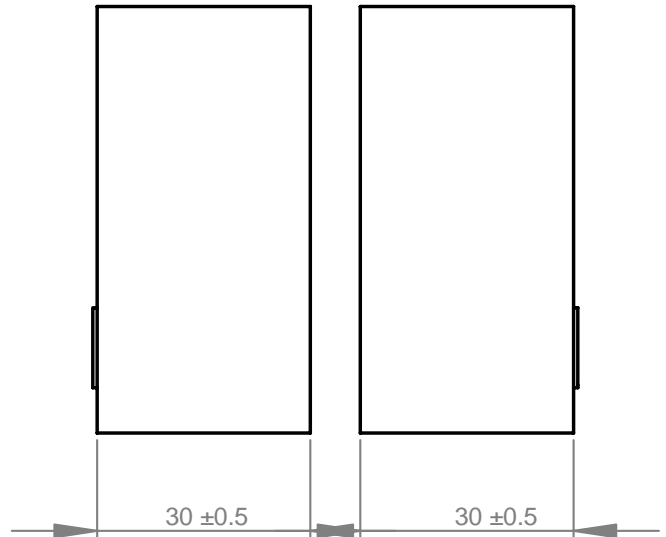
Material: 18mm MDF
The one face that is visible from the front side of the cabinet must be finished with same kind of veneer as the other outer cabinet surfaces.

**Evaluation Kit 1, main cabinet,
page 6/9,
corner baffle support**



Baffle corner support 1

Baffle corner support 2



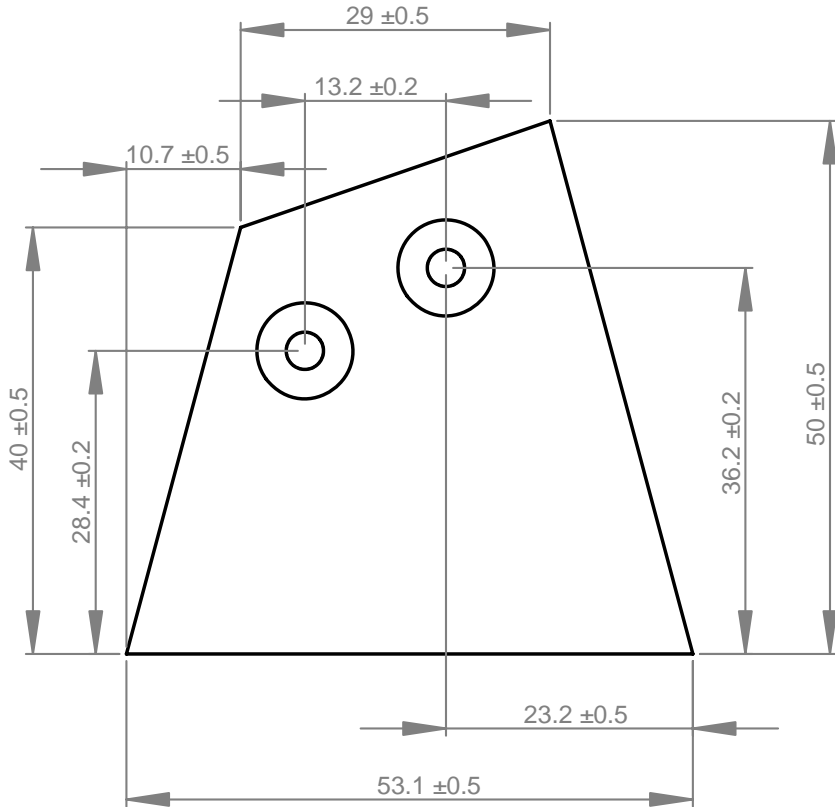
The only difference between baffle corner support 1 and baffle corner support 2 is that the M5 metal insert is inserted from opposite sides.
The M5 inserts **MUST** be inserted from the cabinet inside direction and must be a type that is screwed into the wood. Insert types that are pressed or hammered into the wood are **NOT** accepted. Picture below shows acceptable type of inserts



Material: 30mm real solid wood

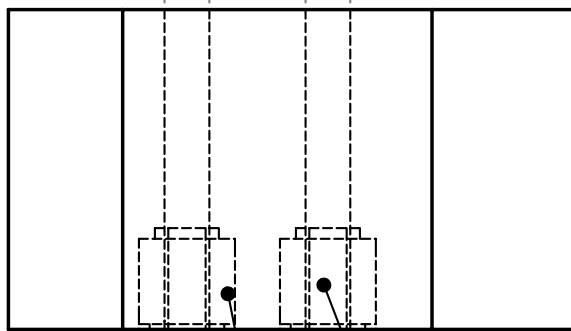
Wavecor Property
This document and its content is the property of Wavecor Ltd., GuangZhou, China. Copyright © 2007 by Wavecor Ltd. All rights reserved. It is permitted to copy the design covered by the document for personal use. No commercial use of the design covered by this document is allowed unless prior written permission by Wavecor Ltd. is obtained.

**Evaluation Kit 1, main cabinet,
page 7/9,
middle baffle support**



Wavecor Property
 This document and its content is the property of Wavecor Ltd., GuangZhou, China. Copyright © 2007 by Wavecor Ltd. All rights reserved. It is permitted to copy the design covered by the document for personal use. No commercial use of the design covered by this document is allowed unless prior written permission by Wavecor Ltd. is obtained.

Ø4.2 through hole



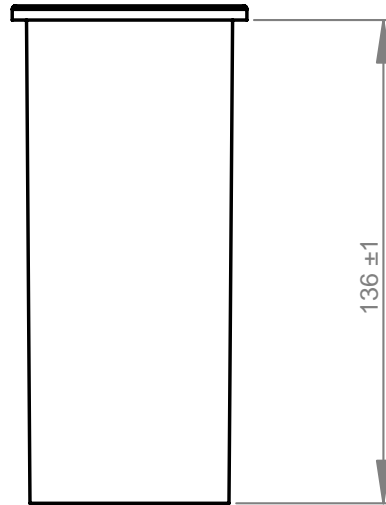
M4 metal insert
 M4 metal insert

The only difference between baffle middle support 1 and baffle middle support 2 is that the M4 metal inserts are inserted from opposite sides.
 The M4 inserts **MUST** be inserted from the cabinet inside direction and must be a type that is screwed into the wood. Insert types that are pressed or hammered into the wood are **NOT** accepted. Picture below shows acceptable type of insert.

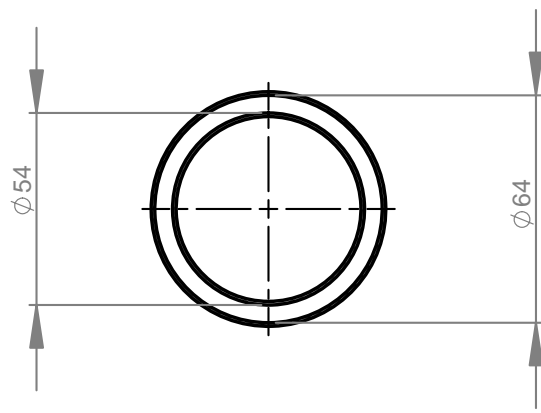


Material: 30mm real solid wood

**Evaluation Kit 1, main cabinet,
page 8/9,
port tube**

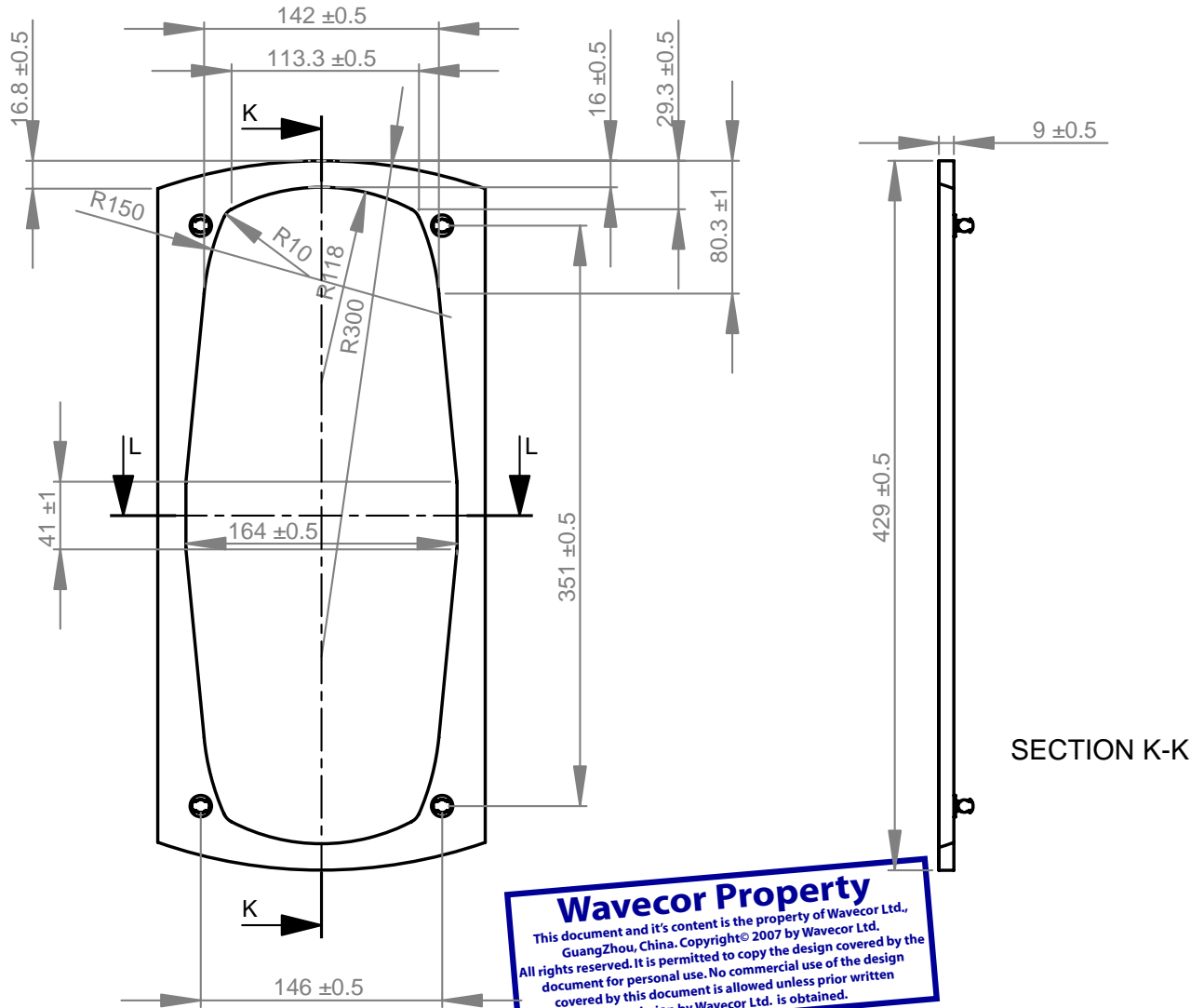


Wavecor Property
This document and its content is the property of Wavecor Ltd.,
GuangZhou, China. Copyright© 2007 by Wavecor Ltd.
All rights reserved. It is permitted to copy the design covered by the
document for personal use. No commercial use of the design
covered by this document is allowed unless prior written
permission by Wavecor Ltd. is obtained.

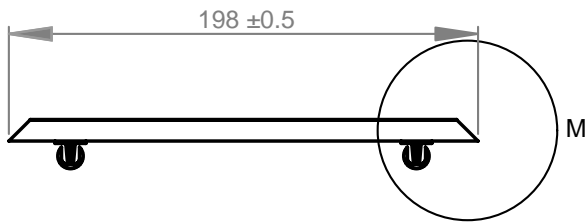


Material: Plastic

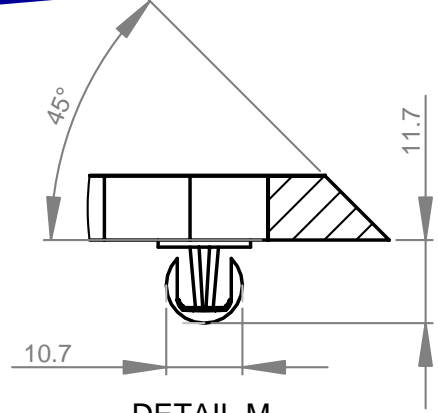
**Evaluation Kit 1, main cabinet,
page 9/9,
front grille**



Wavecor Property
This document and its content is the property of Wavecor Ltd., GuangZhou, China. Copyright© 2007 by Wavecor Ltd. All rights reserved. It is permitted to copy the design covered by the document for personal use. No commercial use of the design covered by this document is allowed unless prior written permission by Wavecor Ltd. is obtained.

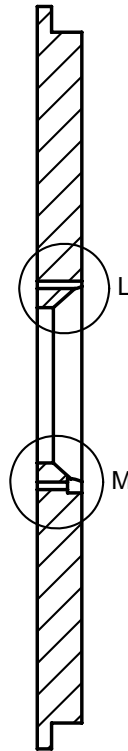
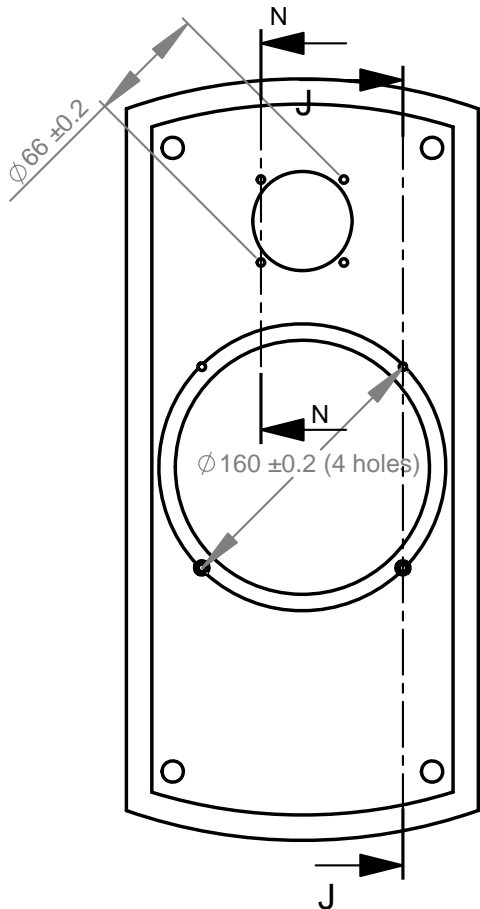


SECTION L-L

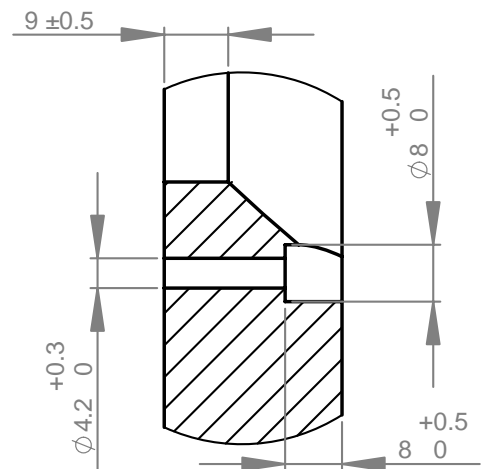
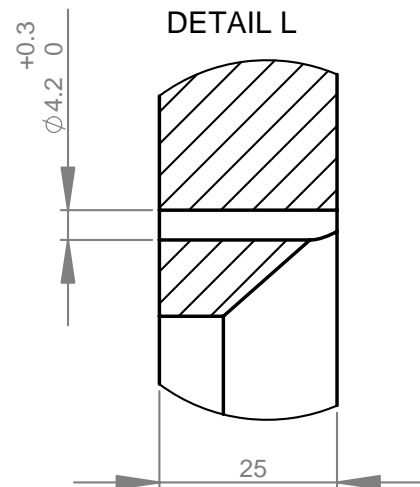


DETAIL M

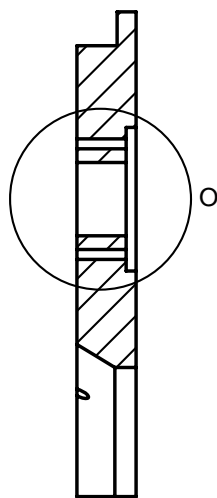
Material: 9mm MDF
Grille cloth: Black, acoustically transparent



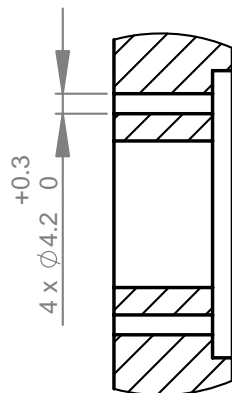
SECTION J-J



DETAIL M



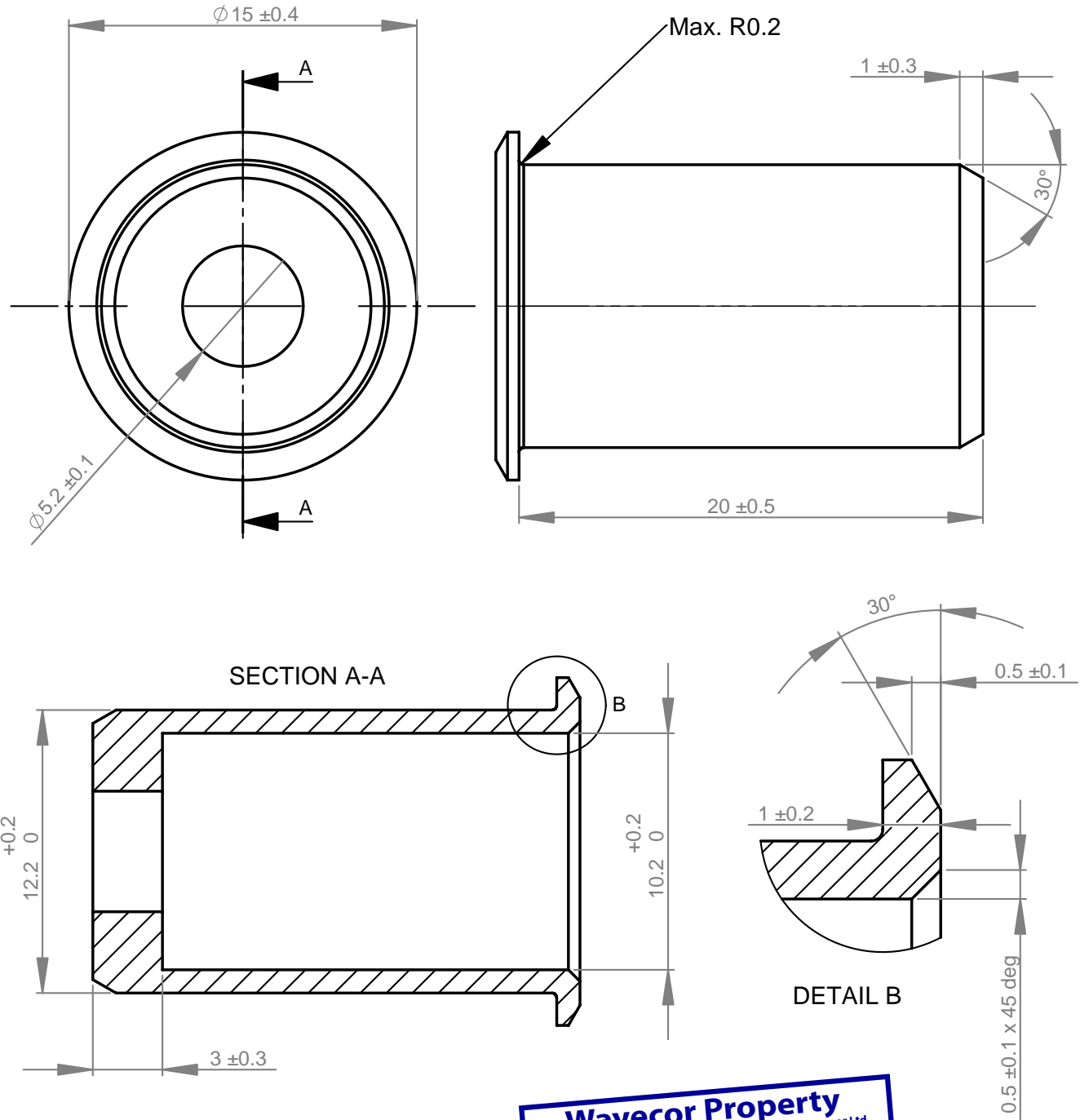
SECTION N-N



DETAIL O

Wavecor Property
This document and its content is the property of Wavecor Ltd., GuangZhou, China. Copyright© 2007 by Wavecor Ltd. All rights reserved. It is permitted to copy the design covered by the document for personal use. No commercial use of the design covered by this document is allowed unless prior written permission by Wavecor Ltd. is obtained.

**Evaluation Kit 1,
baffle fastener / female grille lock,
page 1/1**



Wavecor Property
 This document and its content is the property of Wavecor Ltd.,
 GuangZhou, China. Copyright© 2007 by Wavecor Ltd.
 All rights reserved. It is permitted to copy the design covered by the
 document for personal use. No commercial use of the design
 covered by this document is allowed unless prior written
 permission by Wavecor Ltd. is obtained.

Notes:
 Material: Steel
 Surface: Black cromatized