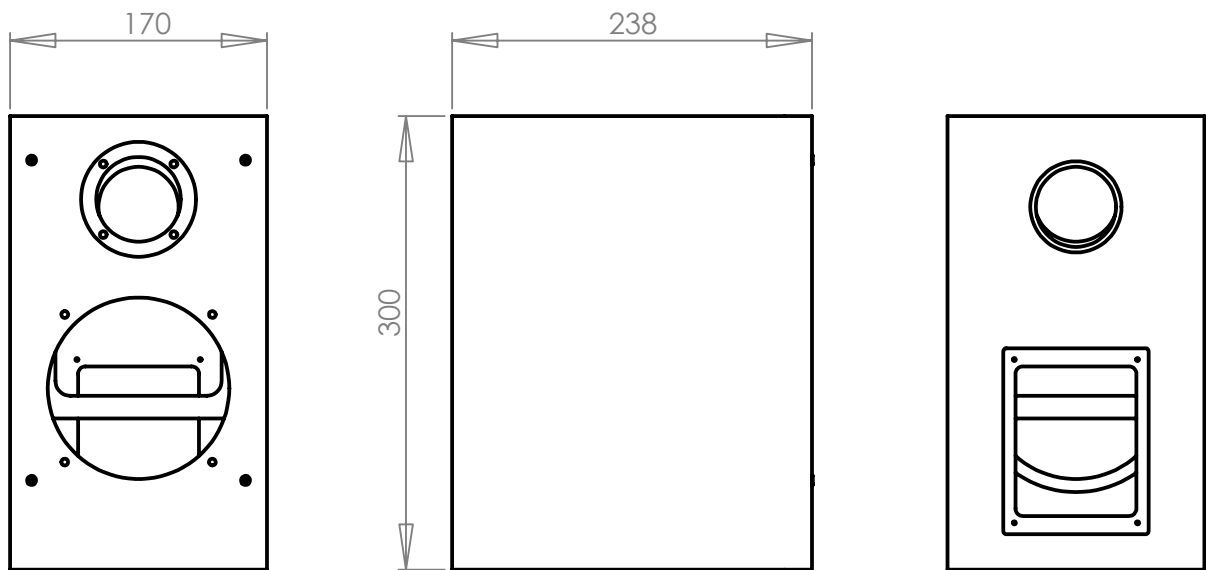
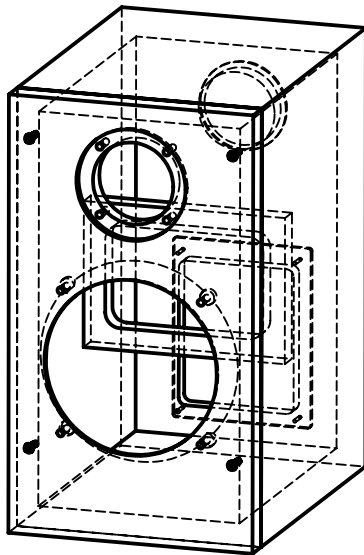


Evaluation Kit 5 cabinet



Wavecor Property

This document and its content is the property of
Wavecor Ltd., GuangZhou, P. R. China.
Copyright © 2007 by Wavecor Ltd. All rights reserved.
The designs covered by this document may be copied for
personal use only. No commercial use is allowed without
written authorization from Wavecor Ltd.

Notes:

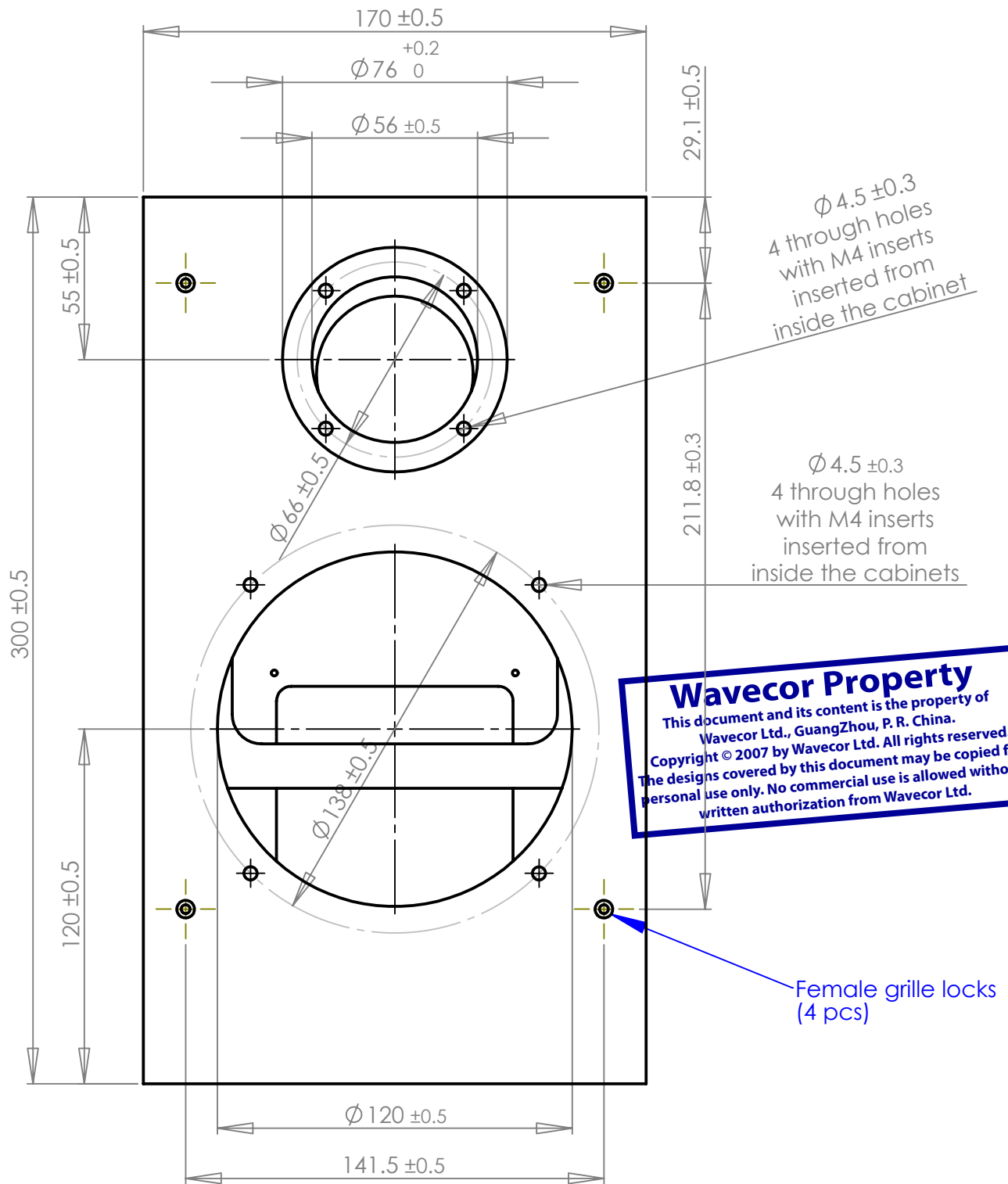
Materials:

Sides, top, bottom, bracing, rear panels: 15mm MDF

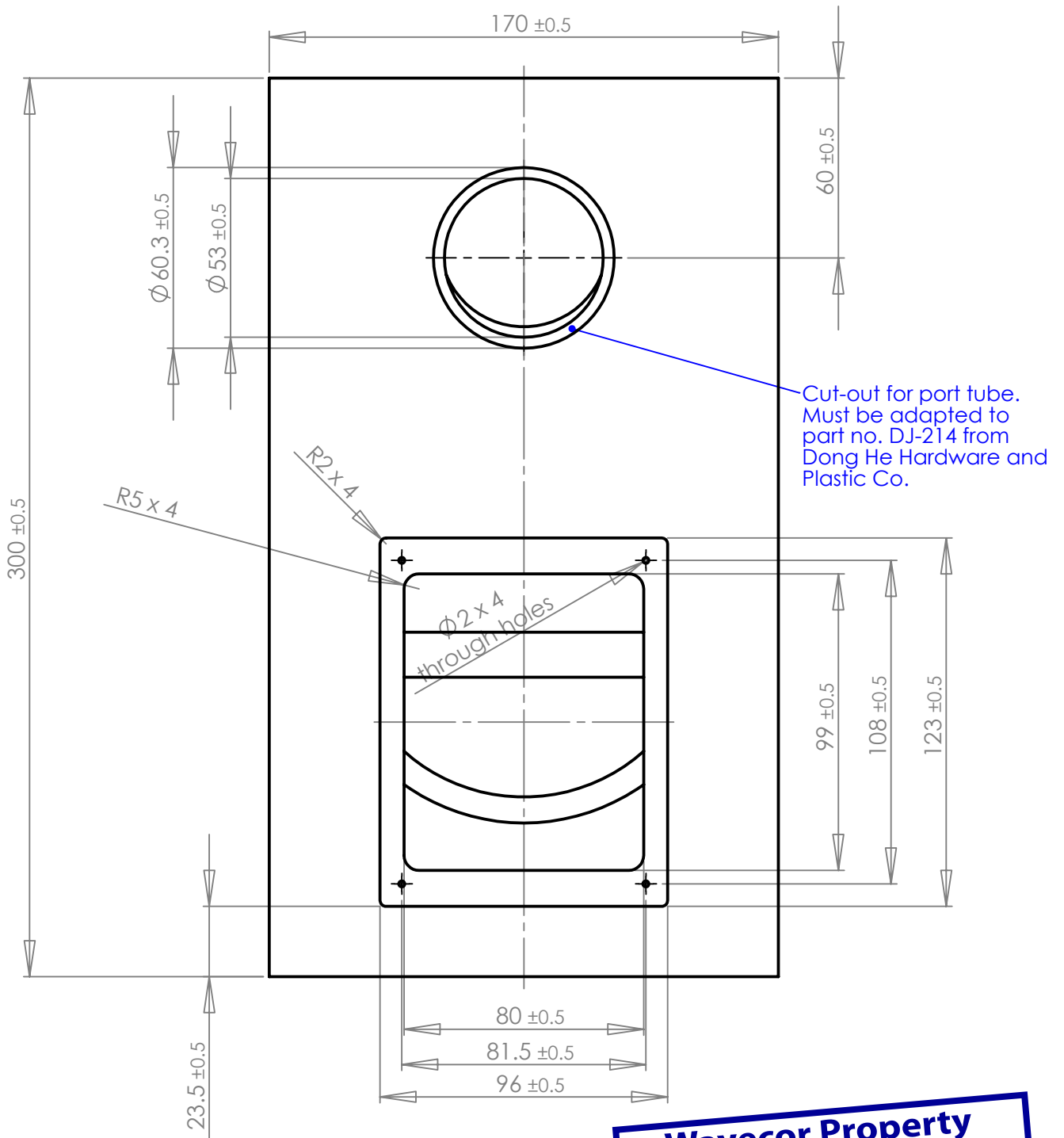
Baffle: 18mm MDF

MDF density: Min. 700 kg / cbm

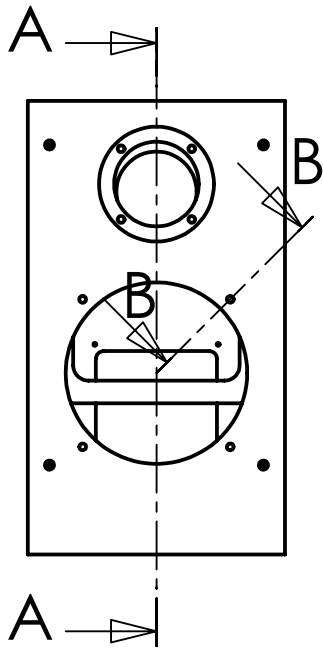
Finish: All outer surfaces: Rosenut wood veneer



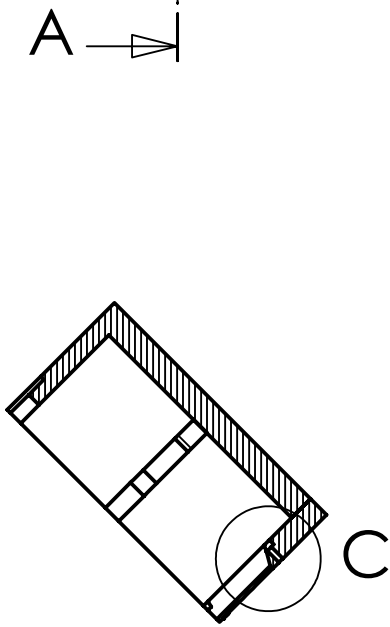
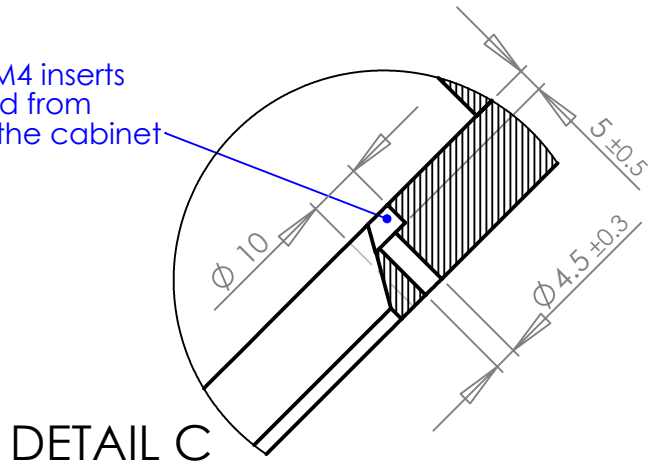
Wavecor Property
 This document and its content is the property of Wavecor Ltd., GuangZhou, P. R. China.
 Copyright © 2007 by Wavecor Ltd. All rights reserved.
 The designs covered by this document may be copied for personal use only. No commercial use is allowed without written authorization from Wavecor Ltd.



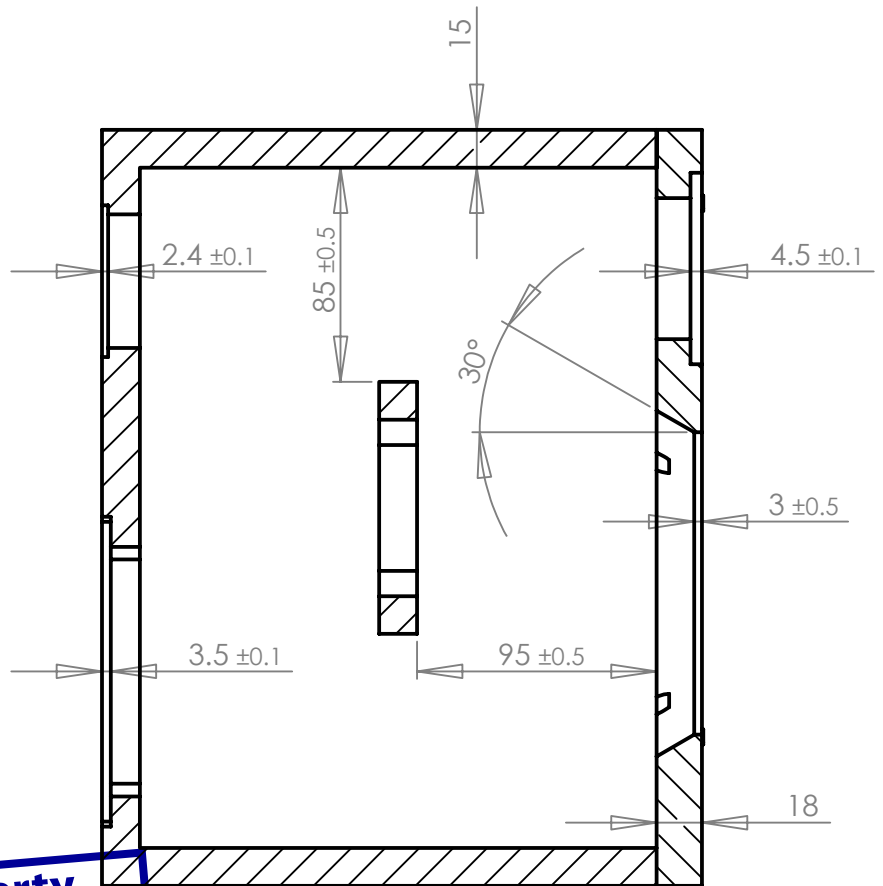
Wavecor Property
This document and its content is the property of Wavecor Ltd., GuangZhou, P. R. China.
Copyright © 2007 by Wavecor Ltd. All rights reserved.
The designs covered by this document may be copied for personal use only. No commercial use is allowed without written authorization from Wavecor Ltd.



4 pcs M4 inserts
inserted from
inside the cabinet



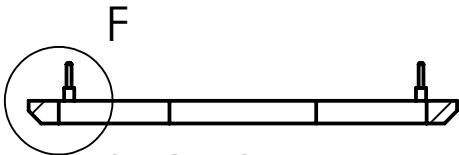
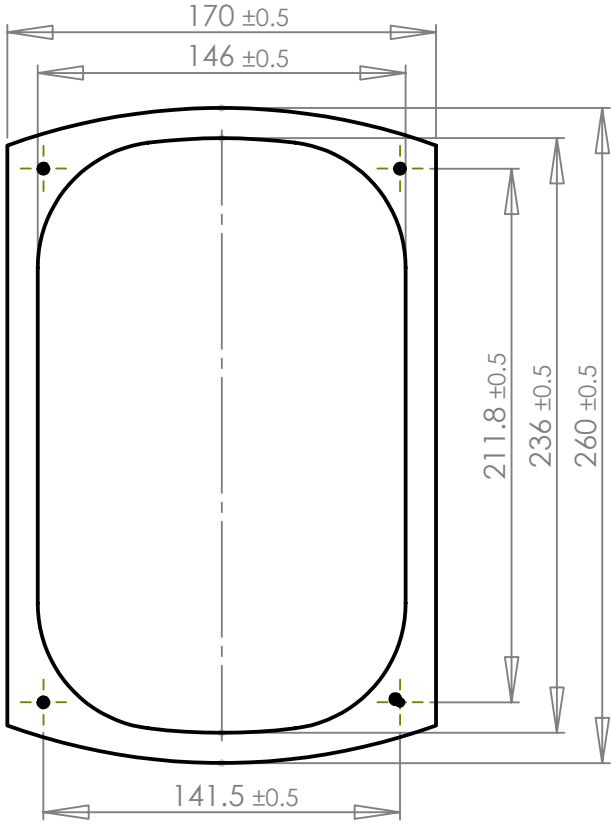
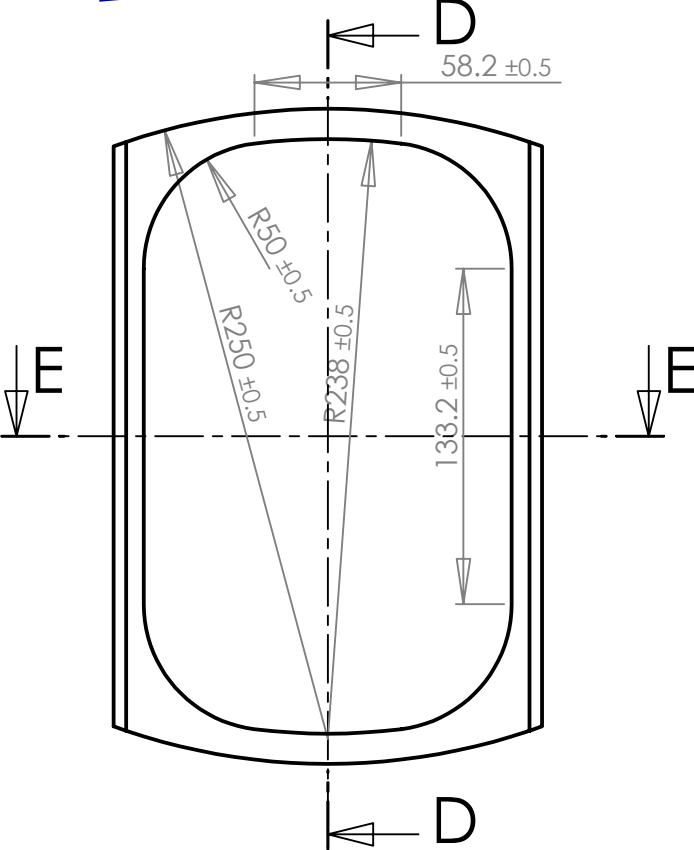
SECTION B-B



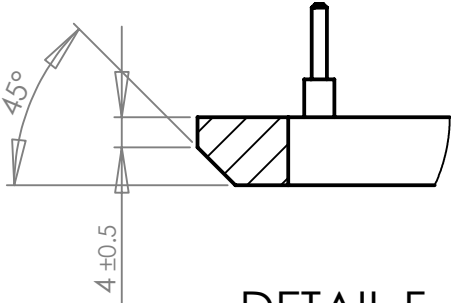
SECTION A-A

Wavecor Property
 This document and its content is the property of
 Wavecor Ltd., GuangZhou, P. R. China.
 Copyright © 2007 by Wavecor Ltd. All rights reserved.
 The designs covered by this document may be copied for
 personal use only. No commercial use is allowed without
 written authorization from Wavecor Ltd.

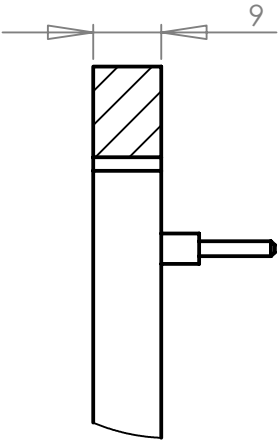
Wavecor Property
 This document and its content is the property of
 Wavecor Ltd., GuangZhou, P. R. China.
 Copyright © 2007 by Wavecor Ltd. All rights reserved.
 The designs covered by this document may be copied for
 personal use only. No commercial use is allowed without
 written authorization from Wavecor Ltd.



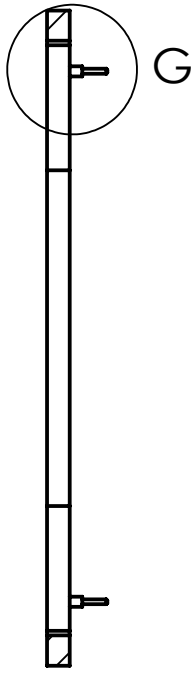
SECTION E-E



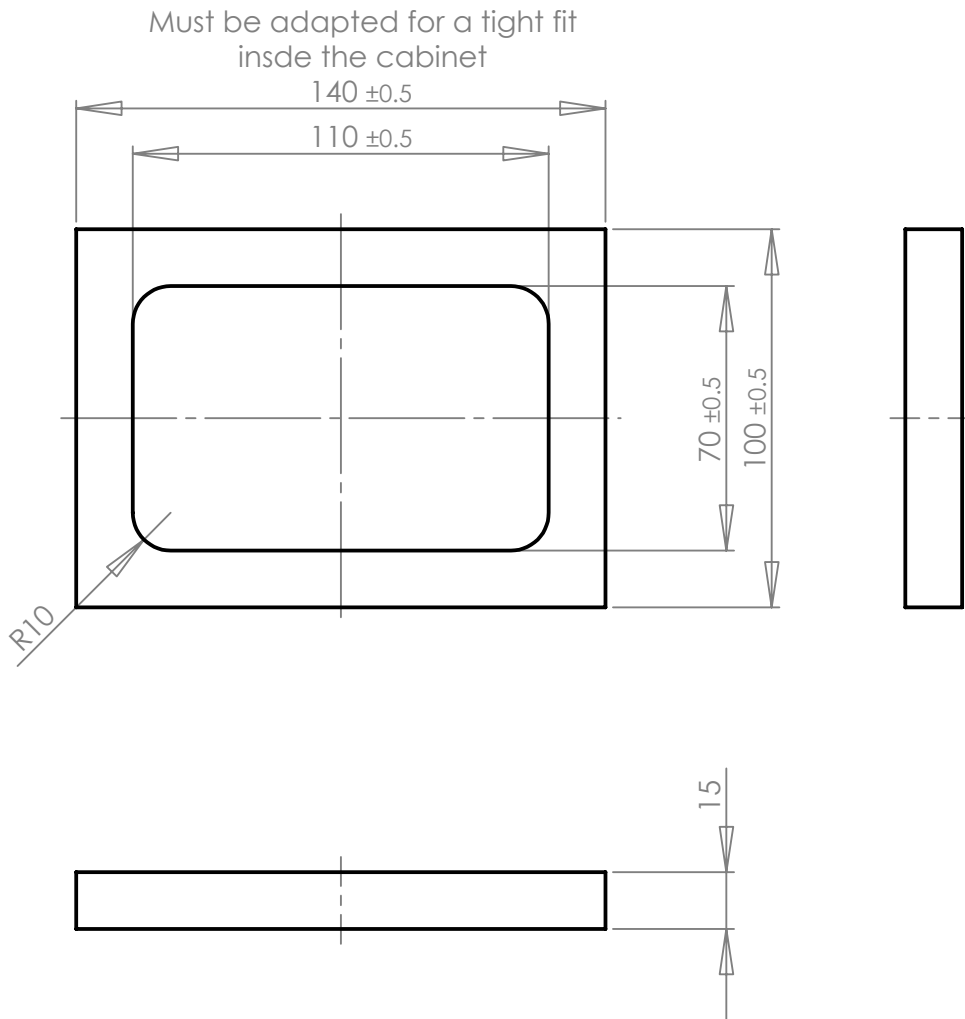
DETAIL F



DETAIL G



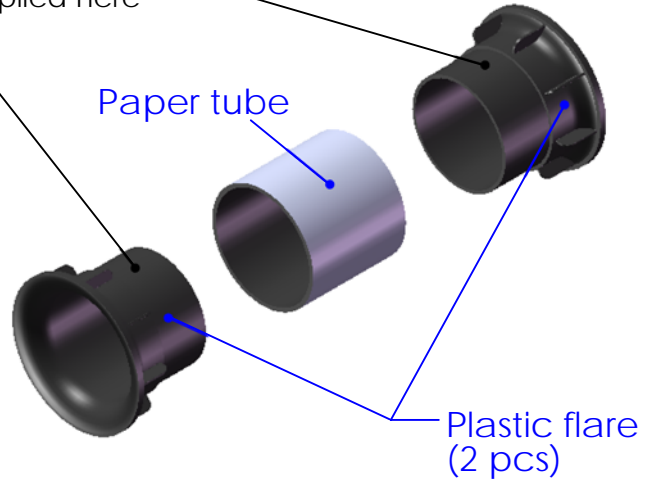
SECTION D-D



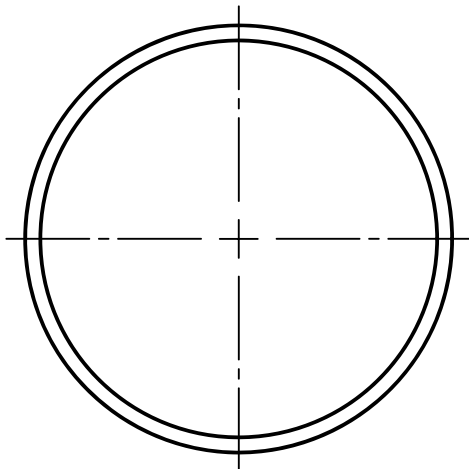
Wavecor Property
This document and its content is the property of
Wavecor Ltd., GuangZhou, P. R. China.
Copyright © 2007 by Wavecor Ltd. All rights reserved.
The designs covered by this document may be copied for
personal use only. No commercial use is allowed without
written authorization from Wavecor Ltd.



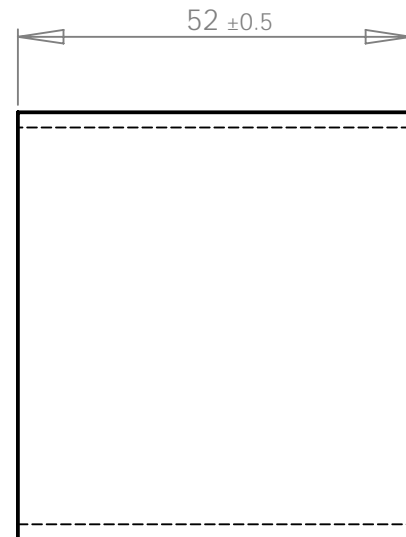
When assembling the port glue must be applied here:



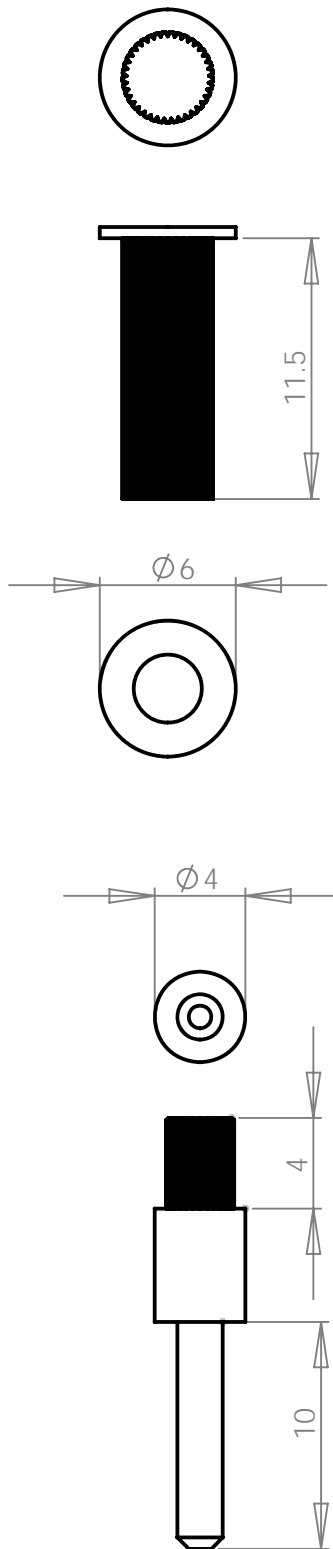
Cabinet must be supplied with the port mounted, including two flares and paper tube.
Port (flares and paper tube): Part no. DJ-214 from Dong He Hardware and Plastic Co.



Paper tube



Wavecor Property
This document and its content is the property of Wavecor Ltd., GuangZhou, P. R. China.
Copyright © 2007 by Wavecor Ltd. All rights reserved.
The designs covered by this document may be copied for personal use only. No commercial use is allowed without written authorization from Wavecor Ltd.



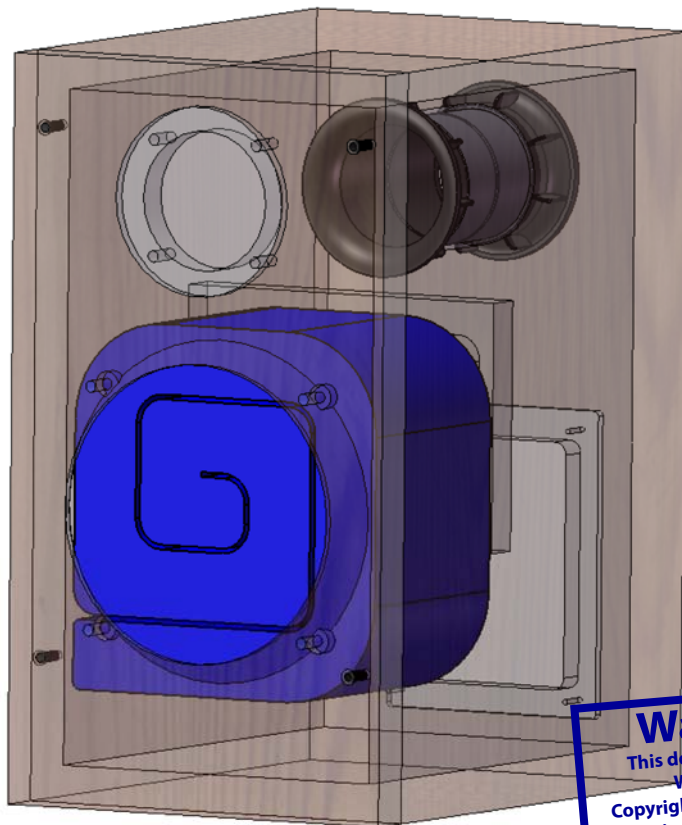
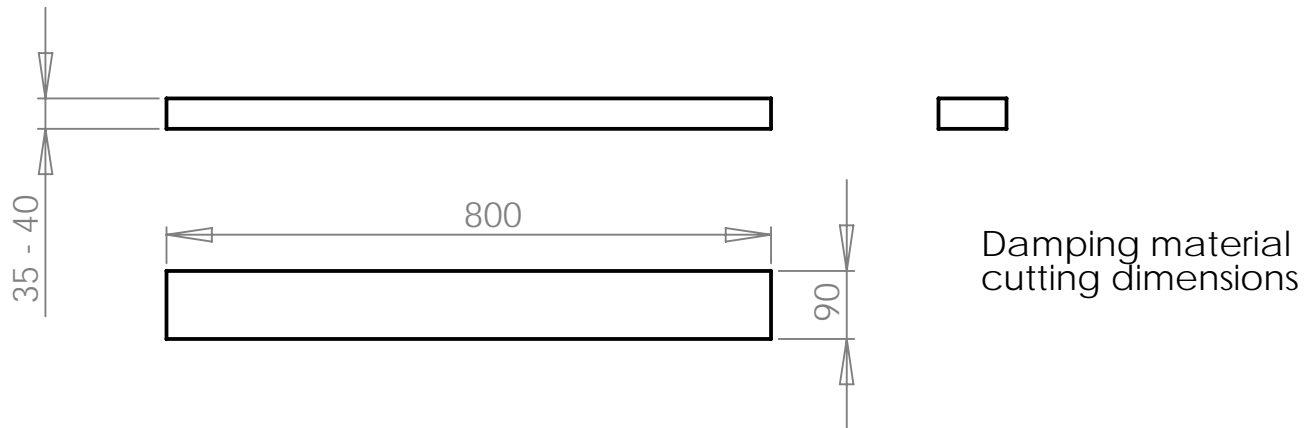
Female grille fastener

When mounting the grille fasteners (male and female) it must be secured that they are properly attached by making a tight fit into the MDF boards PLUS applying glue HERE.

Male grille fastener



Wavecor Property
This document and its content is the property of
Wavecor Ltd., GuangZhou, P. R. China.
Copyright © 2007 by Wavecor Ltd. All rights reserved.
The designs covered by this document may be copied for
personal use only. No commercial use is allowed without
written authorization from Wavecor Ltd.



Damping material position

Wavecor Property

This document and its content is the property of Wavecor Ltd., GuangZhou, P. R. China.
Copyright © 2007 by Wavecor Ltd. All rights reserved.
The designs covered by this document may be copied for personal use only. No commercial use is allowed without written authorization from Wavecor Ltd.