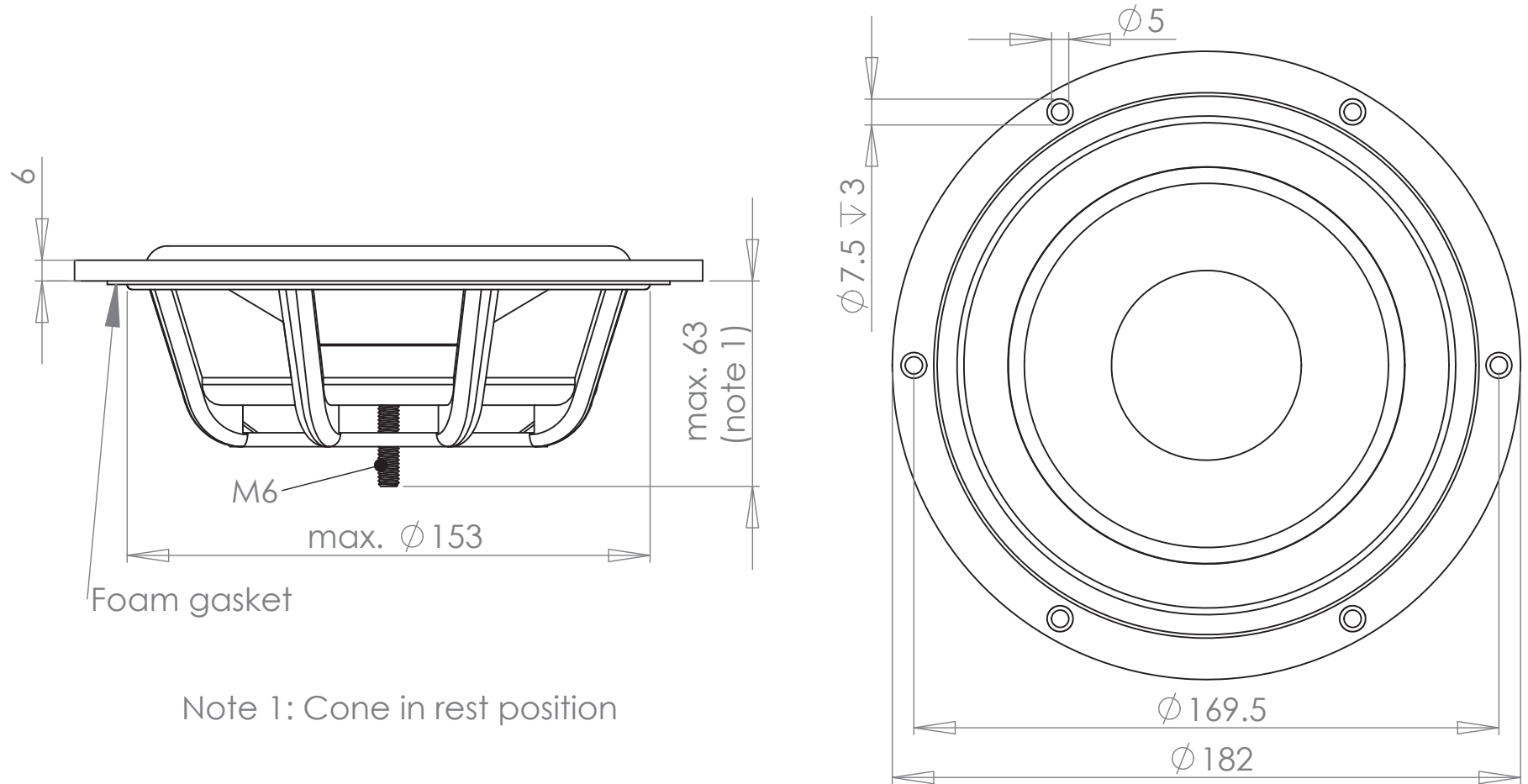


PR182BD02 outline drawing and nominal dimensions, mm

Nov. 9, 2015



Note 1: Cone in rest position