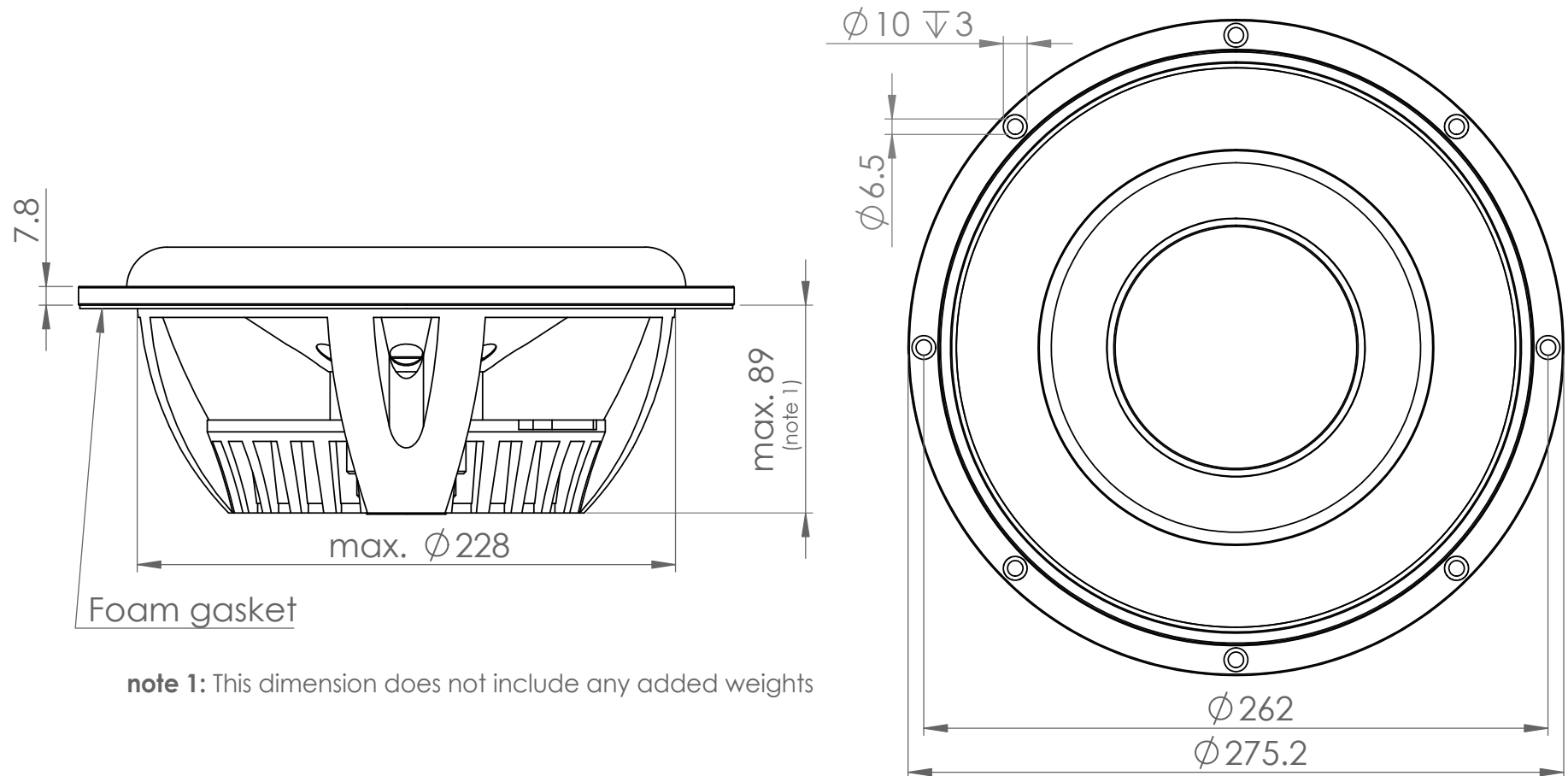


# PR275BD01 outline drawing and nominal dimensions

Jun. 6, 2018

Dimensions in mm



**note 1:** This dimension does not include any added weights