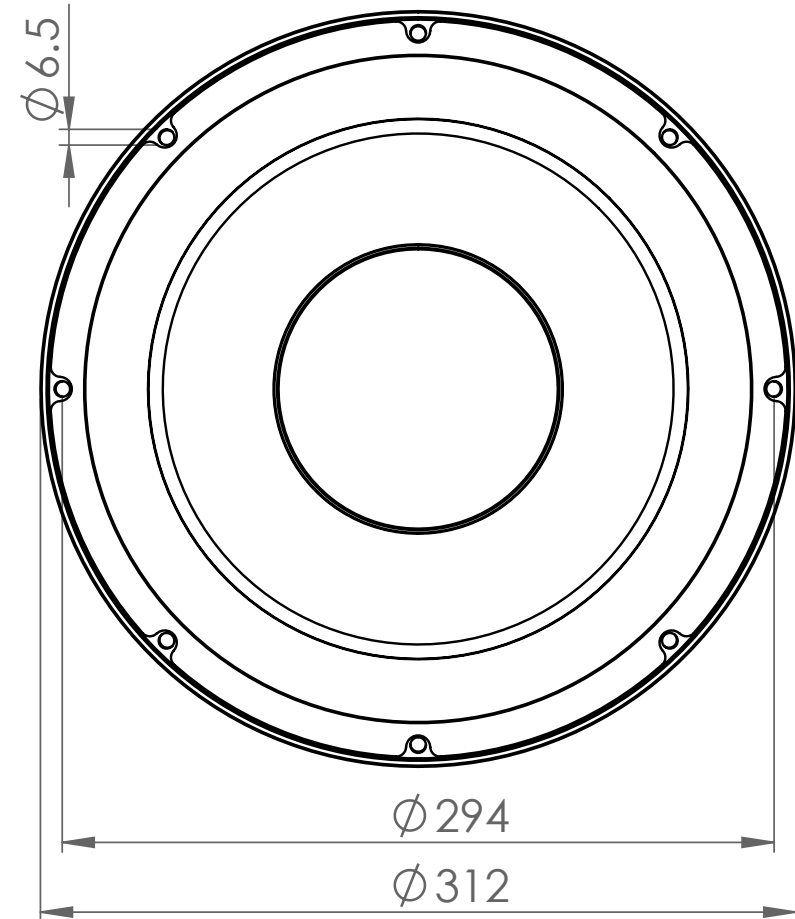
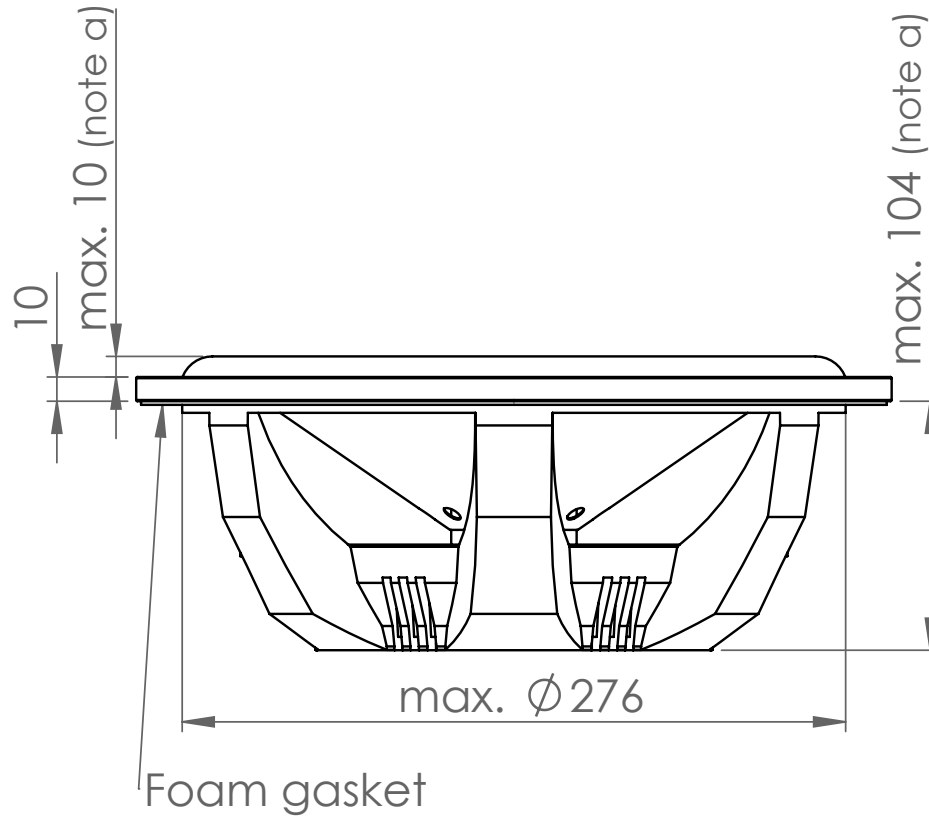


PR312WA02/03 outline drawing and nominal dimensions

Dimensions in mm



Note a: Valid for cone in rest position