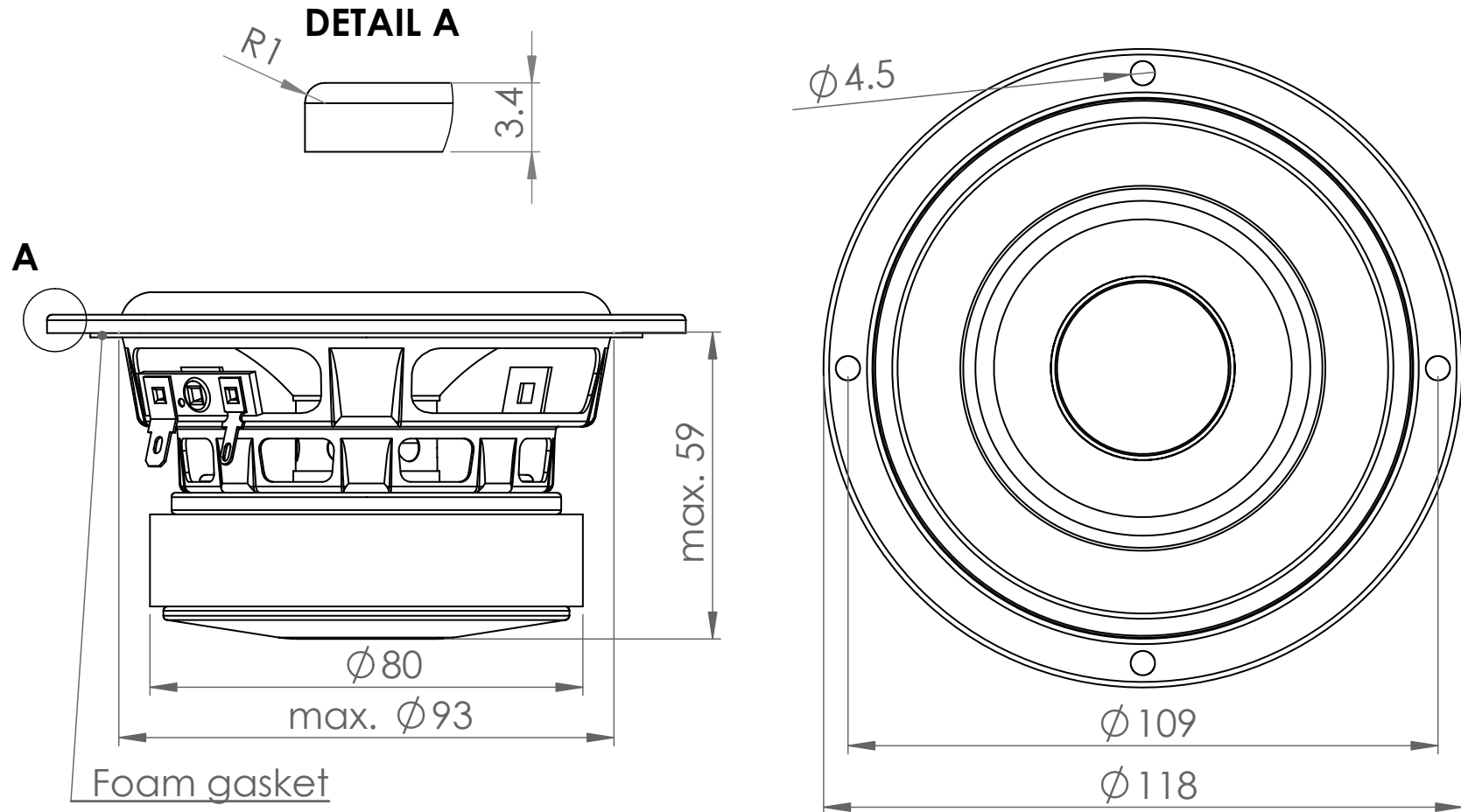


# SW118WA01/02 outline drawing and nominal dimensions

Dimensions in mm



March 1, 2014