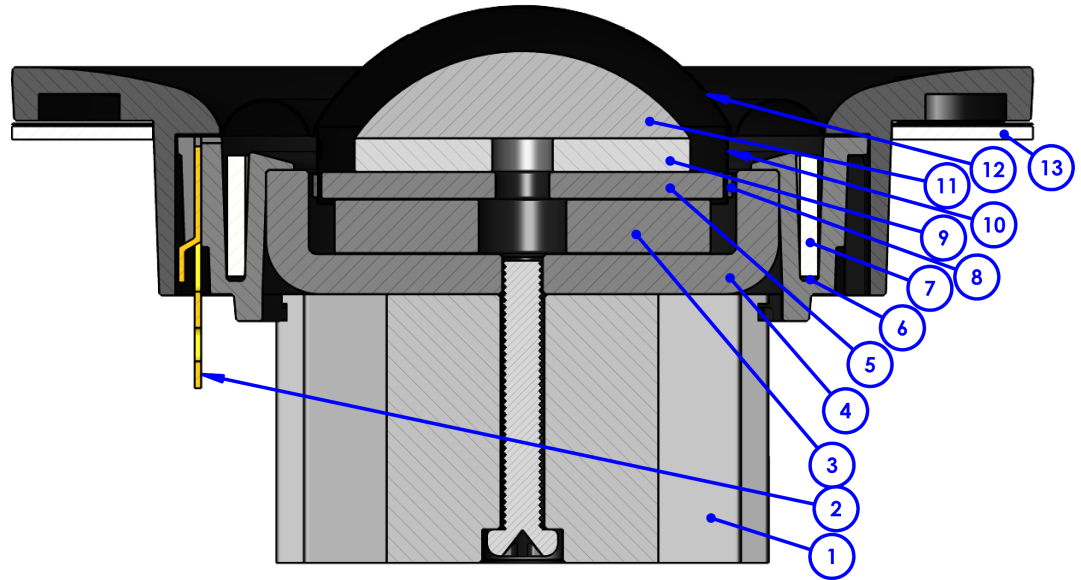


TW030WA01/02 30mm tweeter



1. Black anodized heat sink
2. Gold plated terminals
3. Main neodymium magnet
4. Black anozided field return path
5. Black anodized pole plate
6. Built-in chamber
7. Chamber absorption material
8. Copper-clad alu voice coil
9. Secondary neodymium magnet
10. Vented alu voice coil former (bobbin)
11. Reflection absorption material
12. Dome shaped diaphragm
13. Pre-attached EVA gasket