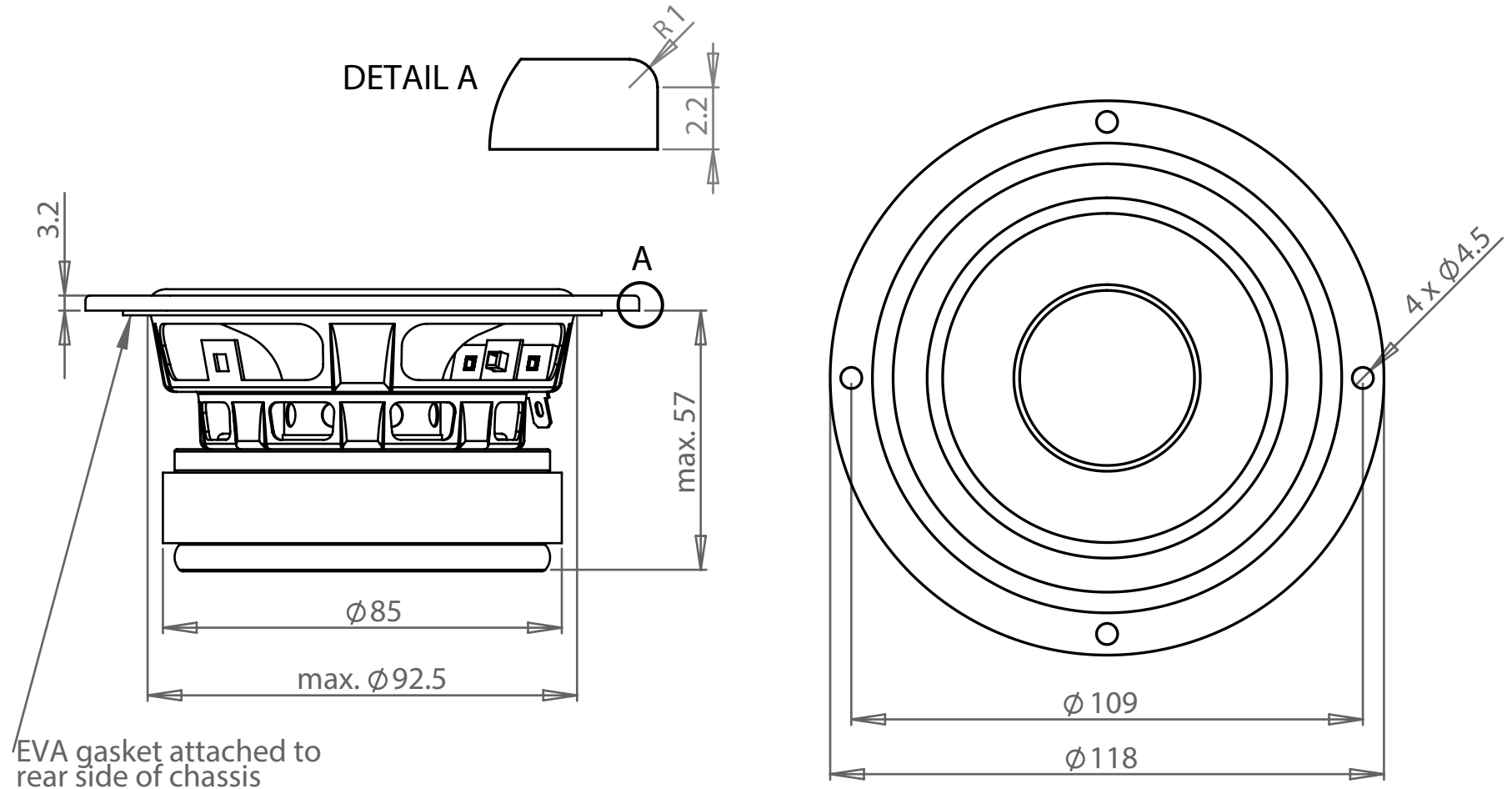


# WF118WA01/02 outline drawing and nominal dimensions

Dimensions in mm



July 13, 2022