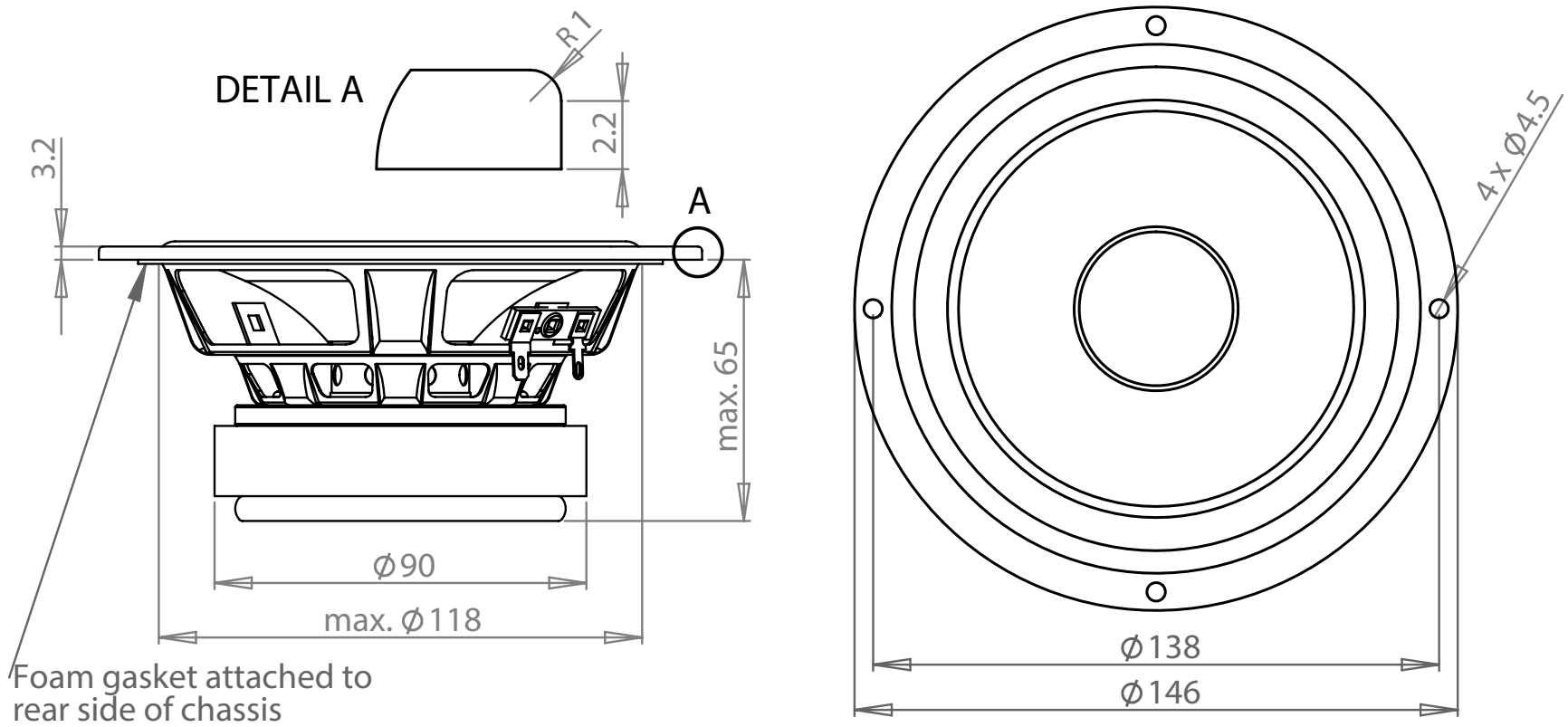


# WF146WA01/02 outline drawing and nominal dimensions



Foam gasket attached to rear side of chassis