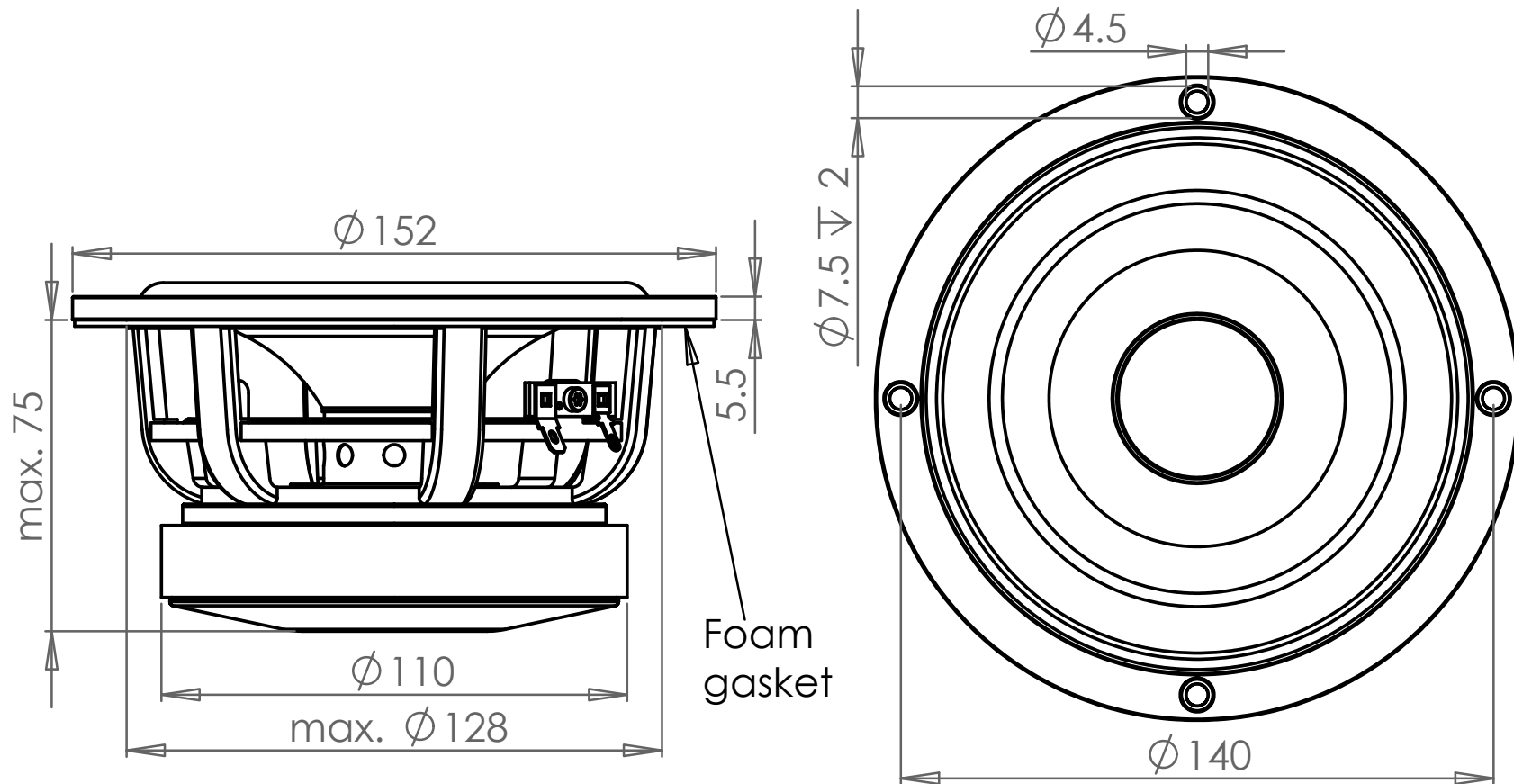


WF152BD03/04 outline drawing and nominal dimensions



Foam gasket