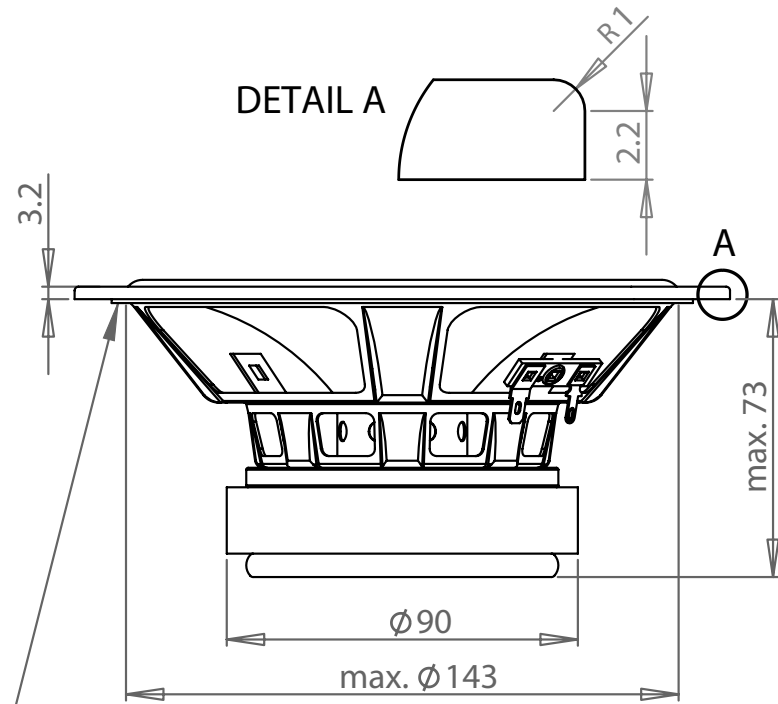


WF168WA01/02 outline drawing and nominal dimensions



EVA gasket attached to rear side of chassis

