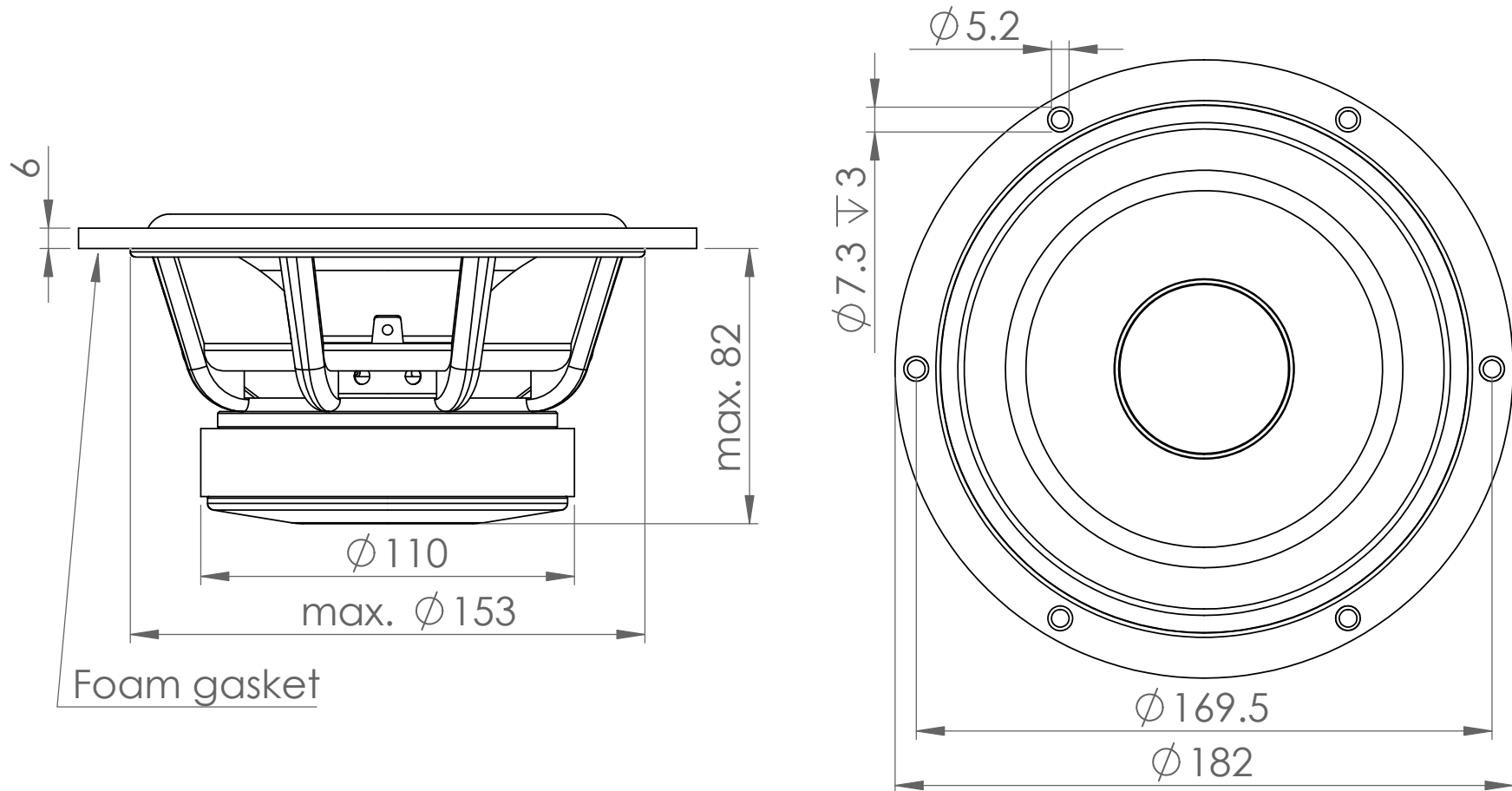


WF182BD09/10 outline drawing and nominal dimensions



WF182BD11/12 outline drawing and nominal dimensions

