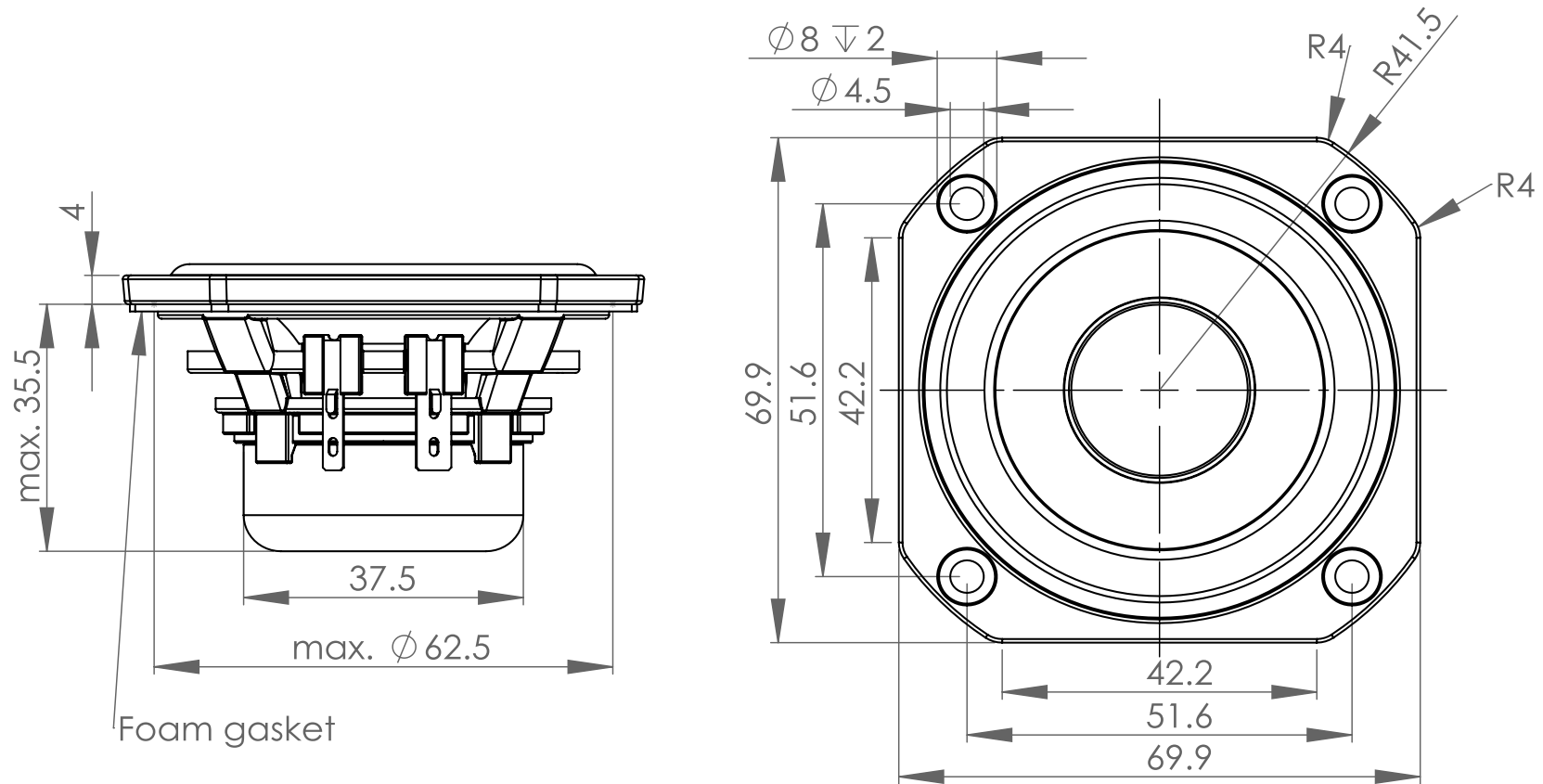


Dimensions in mm



October 10, 2020